

DUAL FACE LIGHT POLE

NOT TO SCALE

CHECK ON AVAILABILITY OF ALL UNITS w/ LOCAL PRODUCER/ DEALER. SOME UNITS MAY HAVE LIMITED AVAILABILITY.

DISCLAIMER:

These typical details are preliminary and conceptual in nature. They are provided for general information purposes only. Anyone making use of these details and related information does so at their own risk and assumes all liability for such use. Site specific design should be performed by a licensed Professional Engineer based on actual site conditions, materials, and local practices.

Stone Strong LLC retains all common law, statutory, and other reserved rights to these drawings including the copyright. Limited license is granted to copy, reproduce, or modify the details to prepare construction drawings for Stone Strong retaining walls. Stone Strong LLC makes no warranties, either expressed or implied, of merchantability or fitness for any particular purpose, and accepts no responsibility for the accuracy, suitability, or completeness of information contained herein.

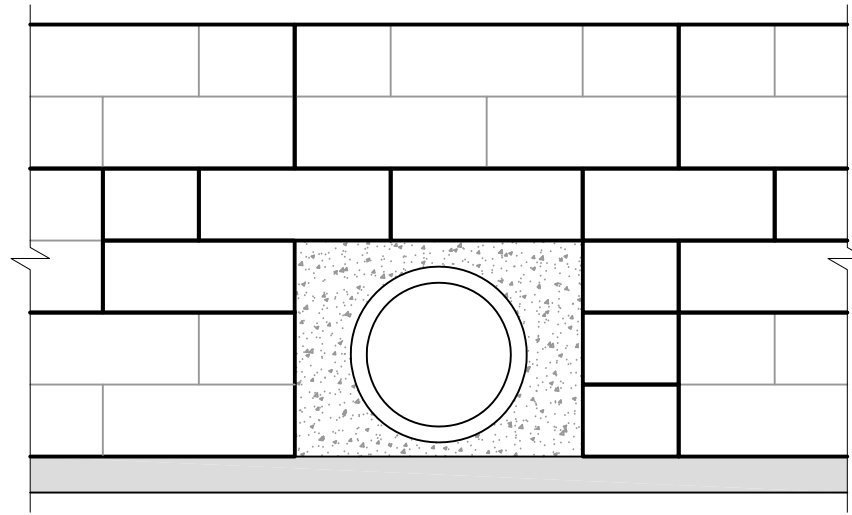


www.stonestrong.com

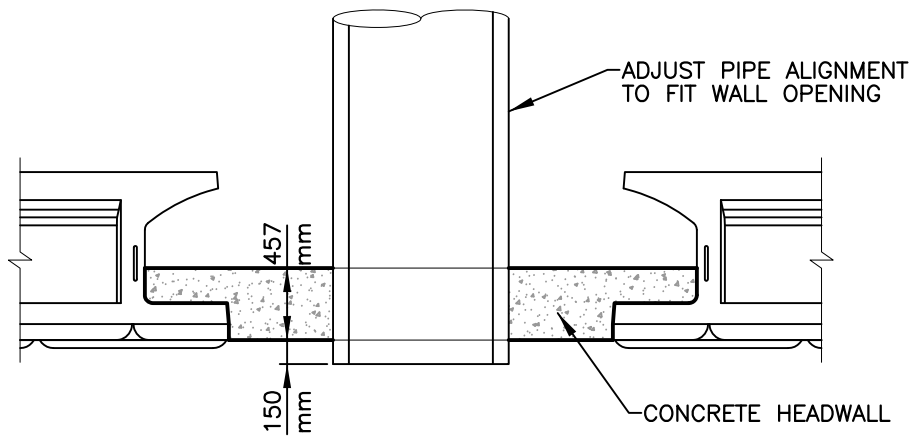
PROJECT

MISC. APPLICATIONS
STONE STRONG SYSTEMS

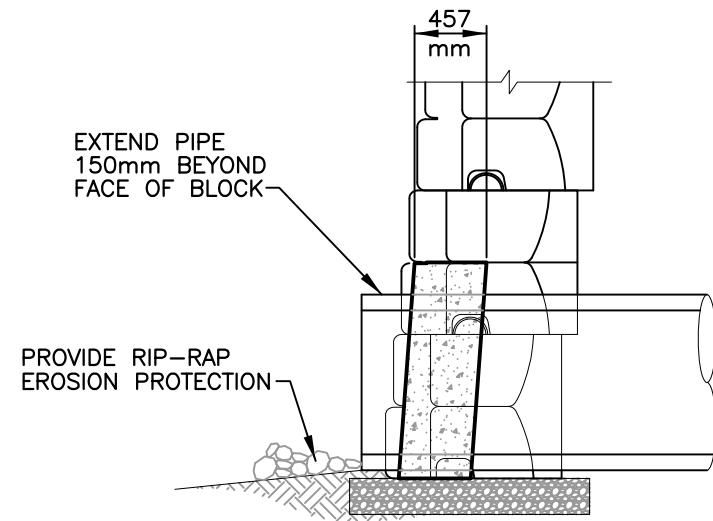
DATE: 3/29/17 FILE: 01_DF.LightPole



ELEVATION



PLAN VIEW



CROSS SECTION

CONCRETE HEADWALL DETAIL

NOT TO SCALE

DISCLAIMER:

These typical details are preliminary and conceptual in nature. They are provided for general information purposes only. Anyone making use of these details and related information does so at their own risk and assumes all liability for such use. Site specific design should be performed by a licensed Professional Engineer based on actual site conditions, materials, and local practices.

Stone Strong LLC retains all common law, statutory, and other reserved rights to these drawings including the copyright. Limited license is granted to copy, reproduce, or modify the details to prepare construction drawings for Stone Strong retaining walls. Stone Strong LLC makes no warranties, either expressed or implied, of merchantability or fitness for any particular purpose, and accepts no responsibility for the accuracy, suitability, or completeness of information contained herein.



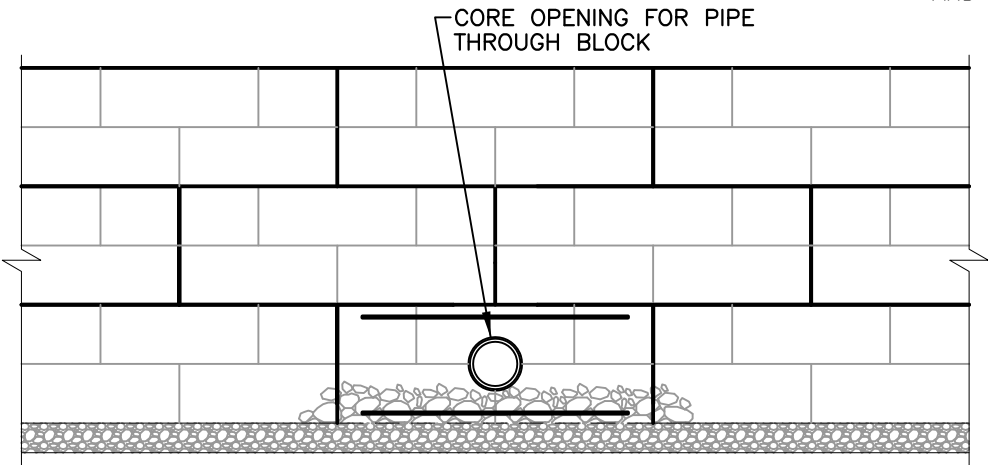
www.stonestrong.com

PROJECT

MISC. APPLICATIONS
STONE STRONG SYSTEMS

DATE: 6/29/18

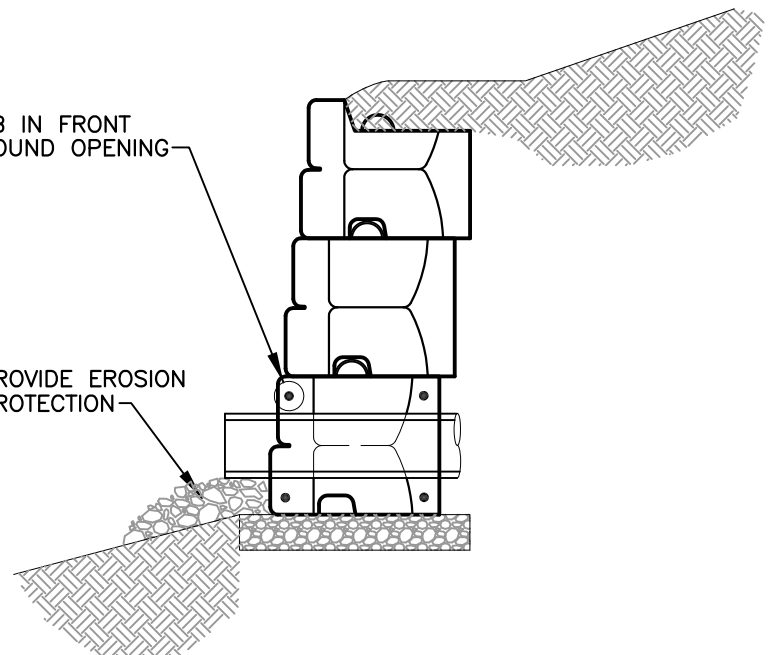
FILE: 02_PipeOutlet.Headwall



FACE ELEVATION

PROVIDE #6 BAR T&B IN FRONT AND REAR FACES AROUND OPENING

PROVIDE EROSION PROTECTION



SECTION THROUGH WALL

CORED PIPE OUTLET

NOT TO SCALE

DISCLAIMER:

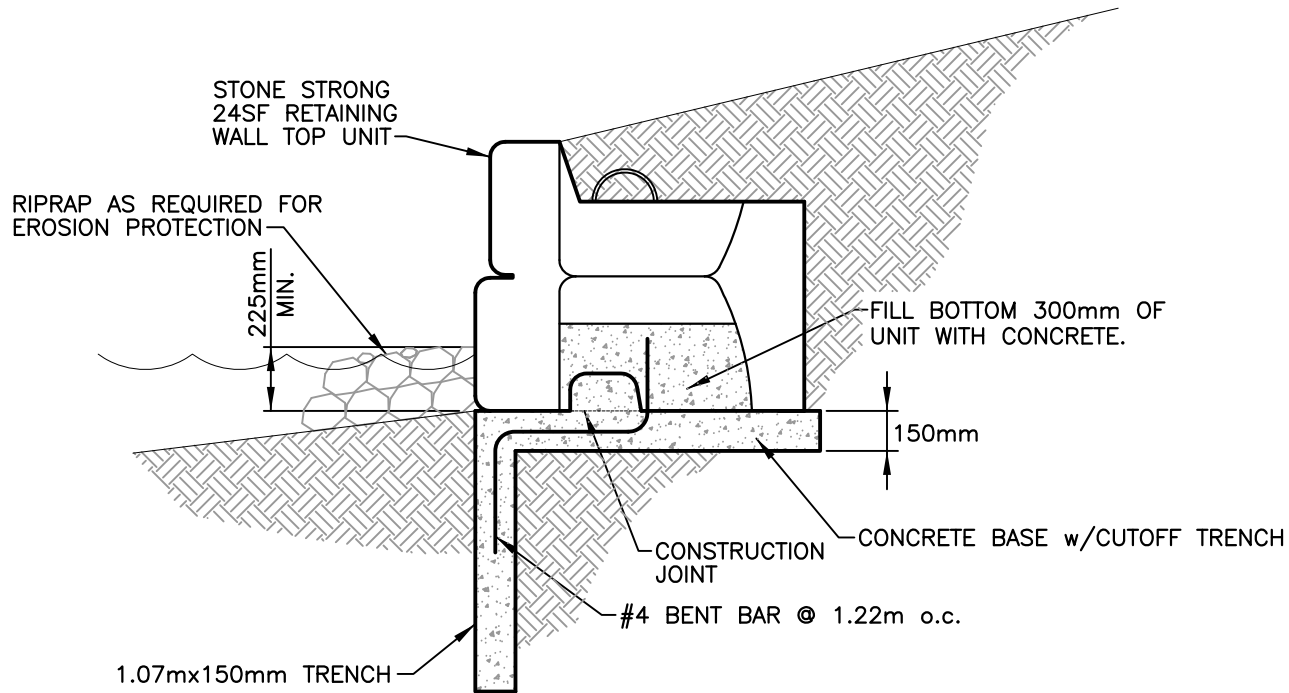
These typical details are preliminary and conceptual in nature. They are provided for general information purposes only. Anyone making use of these details and related information does so at their own risk and assumes all liability for such use. Site specific design should be performed by a licensed Professional Engineer based on actual site conditions, materials, and local practices.

Stone Strong LLC retains all common law, statutory, and other reserved rights to these drawings including the copyright. Limited license is granted to copy, reproduce, or modify the details to prepare construction drawings for Stone Strong retaining walls. Stone Strong LLC makes no warranties, either expressed or implied, of merchantability or fitness for any particular purpose, and accepts no responsibility for the accuracy, suitability, or completeness of information contained herein.



STONE STRONG SYSTEMS®
www.stonestrong.com

PROJECT	
MISC. APPLICATIONS STONE STRONG SYSTEMS	
DATE: 2/10/16	FILE: 03_PipeOutlet.Core



NOTE:


WAVE AND ICE CONSIDERATIONS SHOULD BE EVALUATED TO DETERMINE THE MINIMUM BORDER HEIGHT AND RIPRAP REQUIREMENTS. EROSION OF THE BASE AND WAVE OVERTOPPING CAN DESTABILIZE THE BORDER. ICE LOADS MAY ALSO CONTROL THE DESIGN.

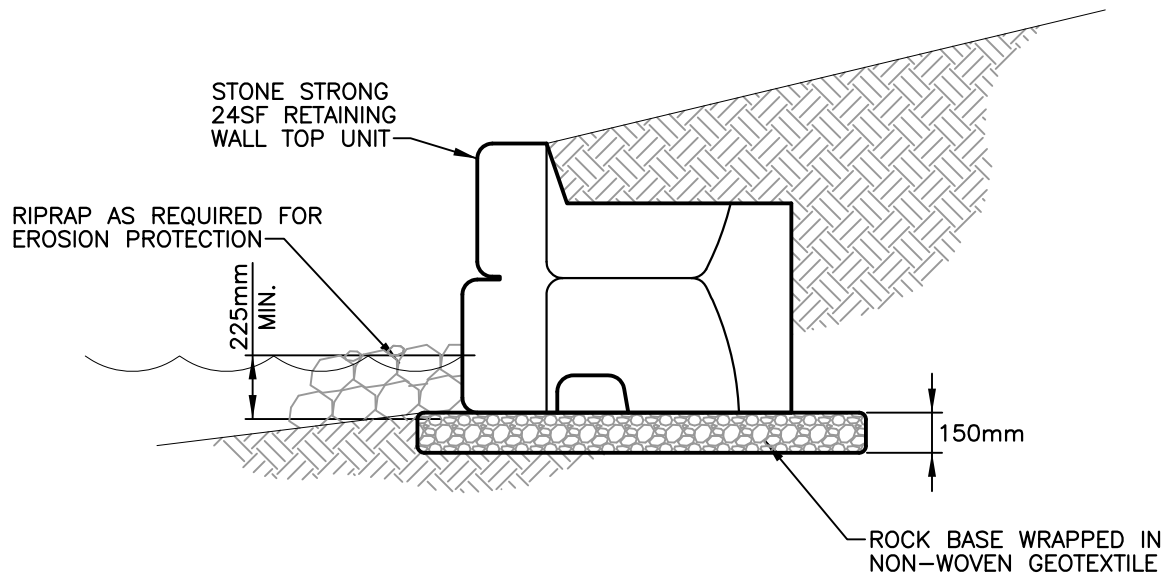
POND BORDER WALL
CONCRETE BASE
NOT TO SCALE

DISCLAIMER:

These typical details are preliminary and conceptual in nature. They are provided for general information purposes only. Anyone making use of these details and related information does so at their own risk and assumes all liability for such use. Site specific design should be performed by a licensed Professional Engineer based on actual site conditions, materials, and local practices.

Stone Strong LLC retains all common law, statutory, and other reserved rights to these drawings including the copyright. Limited license is granted to copy, reproduce, or modify the details to prepare construction drawings for Stone Strong retaining walls. Stone Strong LLC makes no warranties, either expressed or implied, of merchantability or fitness for any particular purpose, and accepts no responsibility for the accuracy, suitability, or completeness of information contained herein.

 www.stonestrong.com	PROJECT
	MISC. APPLICATIONS STONE STRONG SYSTEMS
	DATE: 2/10/16 FILE: 04_PondBorder.Concrete



NOTE:


WAVE AND ICE CONSIDERATIONS SHOULD BE EVALUATED TO DETERMINE THE MINIMUM BORDER HEIGHT AND RIPRAP REQUIREMENTS. EROSION OF THE BASE AND WAVE OVERTOPPING CAN DESTABILIZE THE BORDER. ICE LOADS MAY ALSO CONTROL THE DESIGN.

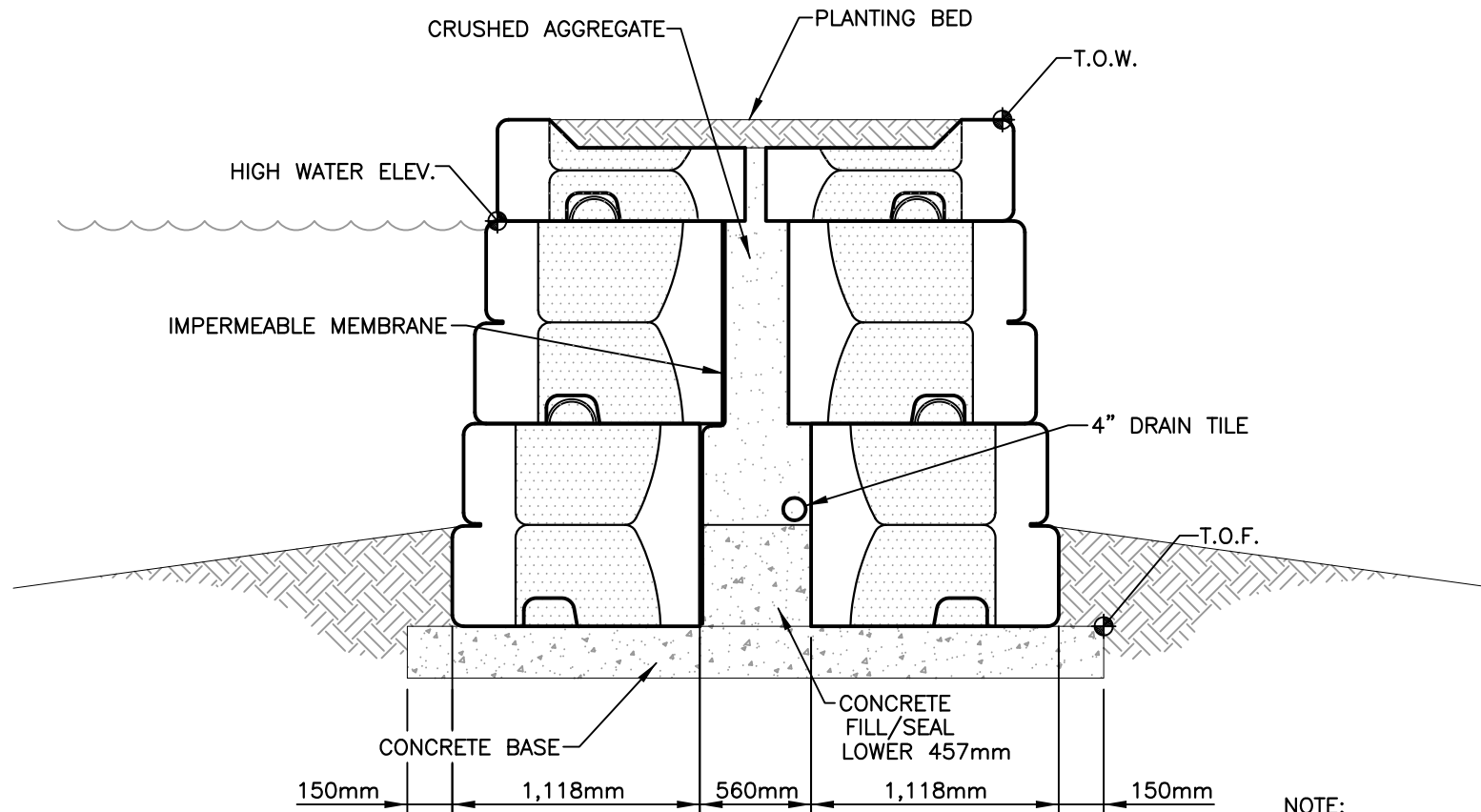
POND BORDER WALL
ROCK BASE
NOT TO SCALE

DISCLAIMER:

These typical details are preliminary and conceptual in nature. They are provided for general information purposes only. Anyone making use of these details and related information does so at their own risk and assumes all liability for such use. Site specific design should be performed by a licensed Professional Engineer based on actual site conditions, materials, and local practices.

Stone Strong LLC retains all common law, statutory, and other reserved rights to these drawings including the copyright. Limited license is granted to copy, reproduce, or modify the details to prepare construction drawings for Stone Strong retaining walls. Stone Strong LLC makes no warranties, either expressed or implied, of merchantability or fitness for any particular purpose, and accepts no responsibility for the accuracy, suitability, or completeness of information contained herein.

 www.stonestrong.com	PROJECT
	MISC. APPLICATIONS STONE STRONG SYSTEMS
	DATE: 2/10/16 FILE: 05_PondBorder.Rock



NOTE:
NON-STANDARD APPLICATION –
REQUIRES ADAPTATION TO
SPECIFIC PROJECT.

DETENTION WALL CROSS SECTION

NOT TO SCALE

DISCLAIMER:

These typical details are preliminary and conceptual in nature. They are provided for general information purposes only. Anyone making use of these details and related information does so at their own risk and assumes all liability for such use. Site specific design should be performed by a licensed Professional Engineer based on actual site conditions, materials, and local practices.

Stone Strong LLC retains all common law, statutory, and other reserved rights to these drawings including the copyright. Limited license is granted to copy, reproduce, or modify the details to prepare construction drawings for Stone Strong retaining walls. Stone Strong LLC makes no warranties, either expressed or implied, of merchantability or fitness for any particular purpose, and accepts no responsibility for the accuracy, suitability, or completeness of information contained herein.

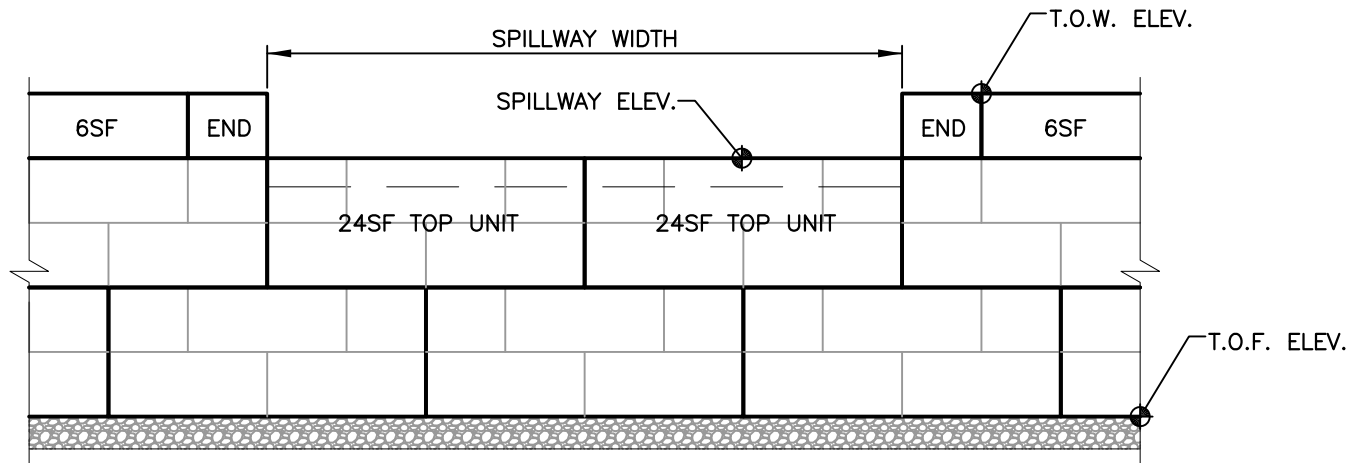


www.stonestrong.com

PROJECT

MISC. APPLICATIONS
STONE STRONG SYSTEMS

DATE: 2/10/16 FILE: 06_Detention.XSec



NOTE:
 NON-STANDARD APPLICATION –
 REQUIRES ADAPTATION TO
 SPECIFIC PROJECT.


SPILLWAY ELEVATION

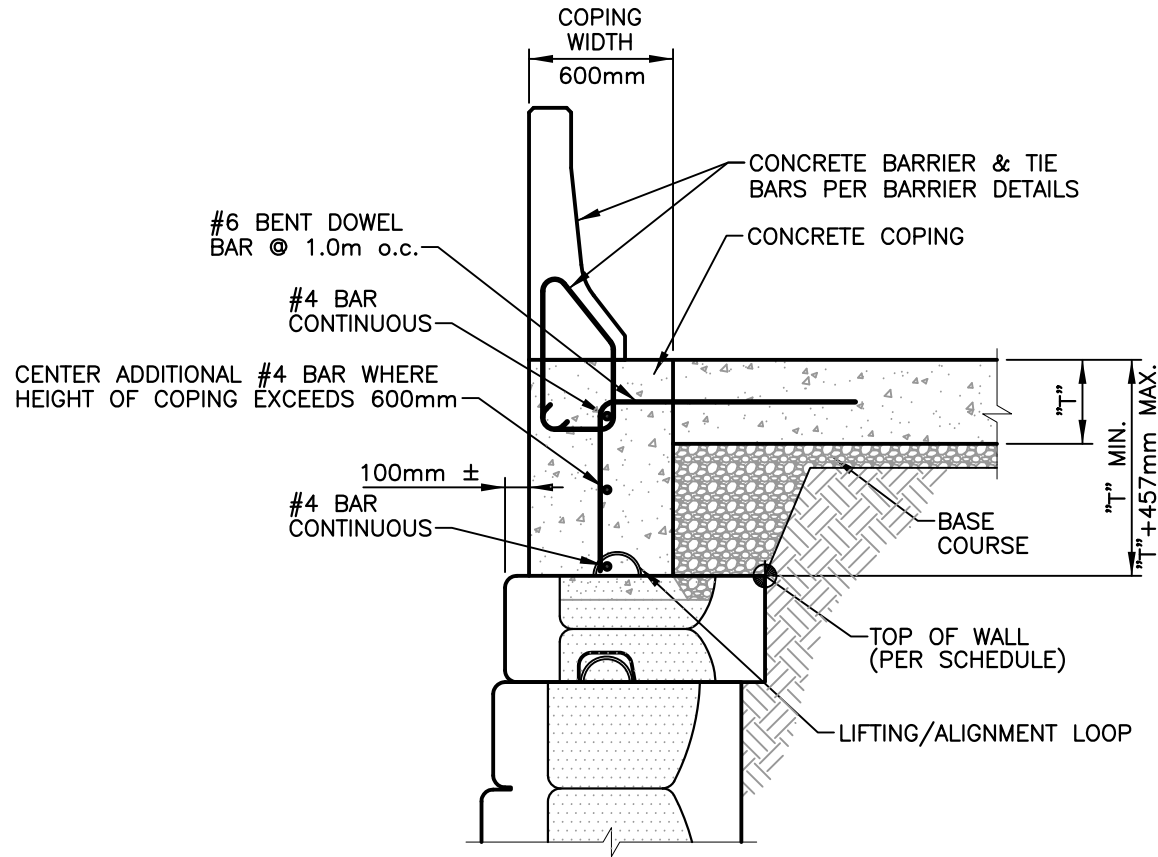
NOT TO SCALE

DISCLAIMER:

These typical details are preliminary and conceptual in nature. They are provided for general information purposes only. Anyone making use of these details and related information does so at their own risk and assumes all liability for such use. Site specific design should be performed by a licensed Professional Engineer based on actual site conditions, materials, and local practices.

Stone Strong LLC retains all common law, statutory, and other reserved rights to these drawings including the copyright. Limited license is granted to copy, reproduce, or modify the details to prepare construction drawings for Stone Strong retaining walls. Stone Strong LLC makes no warranties, either expressed or implied, of merchantability or fitness for any particular purpose, and accepts no responsibility for the accuracy, suitability, or completeness of information contained herein.

 www.stonestrong.com	PROJECT
	MISC. APPLICATIONS STONE STRONG SYSTEMS
	DATE: 2/10/16 FILE: 07_Spillway.Elev



CONCRETE COPING DETAIL

NOT TO SCALE

DISCLAIMER:

These typical details are preliminary and conceptual in nature. They are provided for general information purposes only. Anyone making use of these details and related information does so at their own risk and assumes all liability for such use. Site specific design should be performed by a licensed Professional Engineer based on actual site conditions, materials, and local practices.

Stone Strong LLC retains all common law, statutory, and other reserved rights to these drawings including the copyright. Limited license is granted to copy, reproduce, or modify the details to prepare construction drawings for Stone Strong retaining walls. Stone Strong LLC makes no warranties, either expressed or implied, of merchantability or fitness for any particular purpose, and accepts no responsibility for the accuracy, suitability, or completeness of information contained herein.



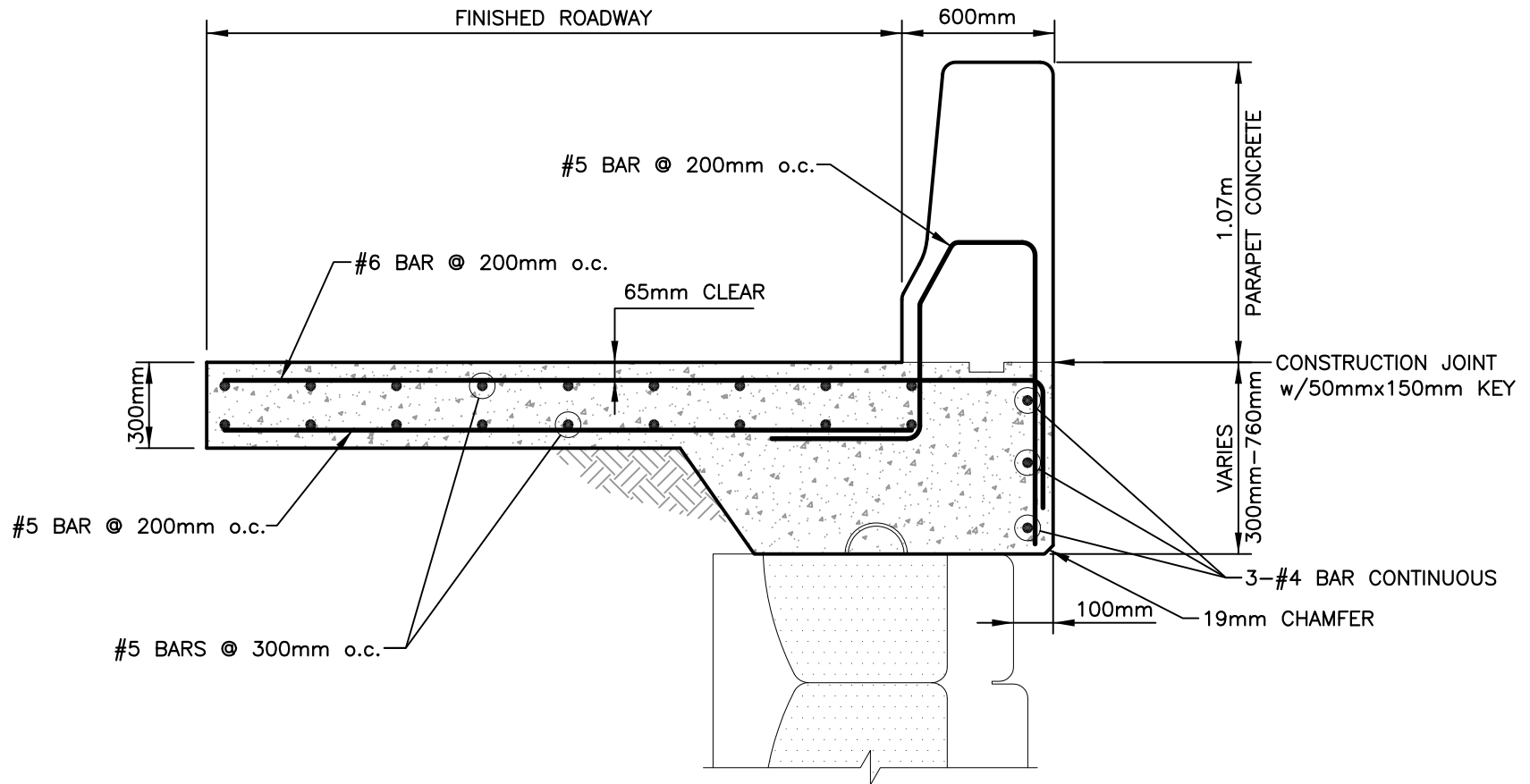
www.stonestrong.com

PROJECT

MISC. APPLICATIONS
STONE STRONG SYSTEMS

DATE: 2/10/16

FILE: 08_Barrier.Coping



MOMENT SLAB

NOT TO SCALE

DISCLAIMER:

These typical details are preliminary and conceptual in nature. They are provided for general information purposes only. Anyone making use of these details and related information does so at their own risk and assumes all liability for such use. Site specific design should be performed by a licensed Professional Engineer based on actual site conditions, materials, and local practices.

Stone Strong LLC retains all common law, statutory, and other reserved rights to these drawings including the copyright. Limited license is granted to copy, reproduce, or modify the details to prepare construction drawings for Stone Strong retaining walls. Stone Strong LLC makes no warranties, either expressed or implied, of merchantability or fitness for any particular purpose, and accepts no responsibility for the accuracy, suitability, or completeness of information contained herein.



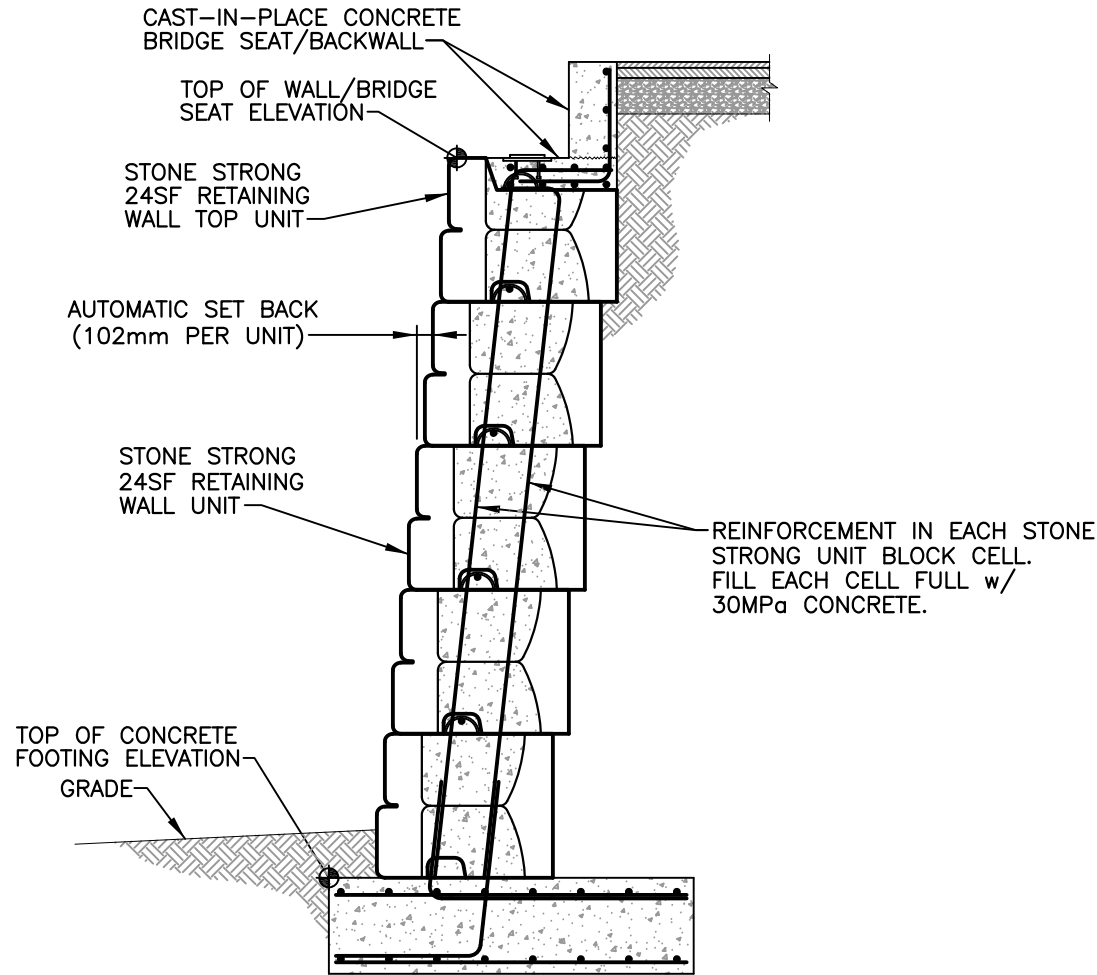
www.stonestrong.com

PROJECT

MISC. APPLICATIONS
STONE STRONG SYSTEMS

DATE: 2/10/16

FILE: 09_MomentSlab




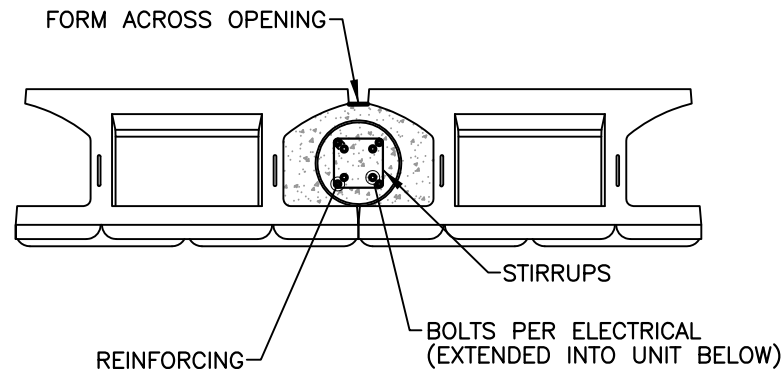
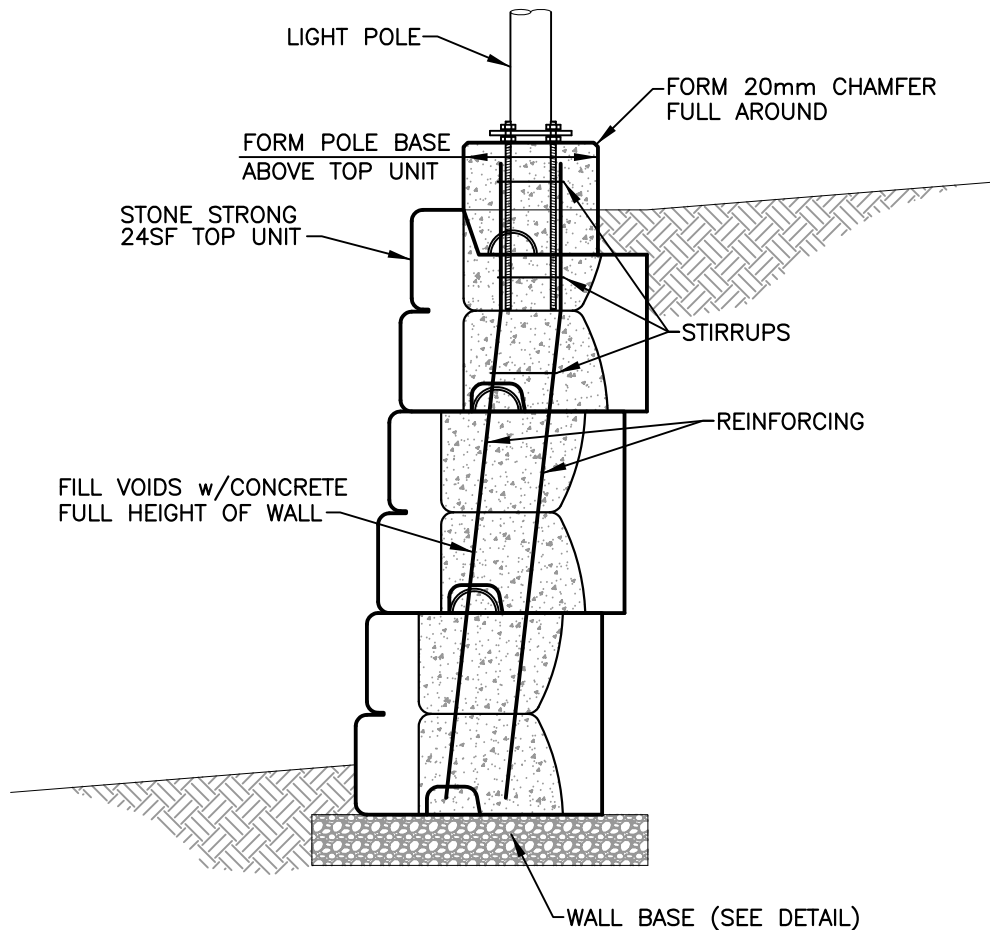
BRIDGE ABUTMENT SECTION
NOT TO SCALE

DISCLAIMER:

These typical details are preliminary and conceptual in nature. They are provided for general information purposes only. Anyone making use of these details and related information does so at their own risk and assumes all liability for such use. Site specific design should be performed by a licensed Professional Engineer based on actual site conditions, materials, and local practices.

Stone Strong LLC retains all common law, statutory, and other reserved rights to these drawings including the copyright. Limited license is granted to copy, reproduce, or modify the details to prepare construction drawings for Stone Strong retaining walls. Stone Strong LLC makes no warranties, either expressed or implied, of merchantability or fitness for any particular purpose, and accepts no responsibility for the accuracy, suitability, or completeness of information contained herein.

 www.stonestrong.com	PROJECT	
	MISC. APPLICATIONS STONE STRONG SYSTEMS	
	DATE: 2/10/16	FILE: 10_Bridge_Abutment




24SF UNIT LIGHT POLE

NOT TO SCALE

DISCLAIMER:

These typical details are preliminary and conceptual in nature. They are provided for general information purposes only. Anyone making use of these details and related information does so at their own risk and assumes all liability for such use. Site specific design should be performed by a licensed Professional Engineer based on actual site conditions, materials, and local practices.

Stone Strong LLC retains all common law, statutory, and other reserved rights to these drawings including the copyright. Limited license is granted to copy, reproduce, or modify the details to prepare construction drawings for Stone Strong retaining walls. Stone Strong LLC makes no warranties, either expressed or implied, of merchantability or fitness for any particular purpose, and accepts no responsibility for the accuracy, suitability, or completeness of information contained herein.

 <p>STONE STRONG SYSTEMS</p> <p>www.stonestrong.com</p>	PROJECT	
	<p>MISC. APPLICATIONS</p> <p>STONE STRONG SYSTEMS</p>	
	DATE: 3/29/17	FILE: 11_24_SF.LightPole