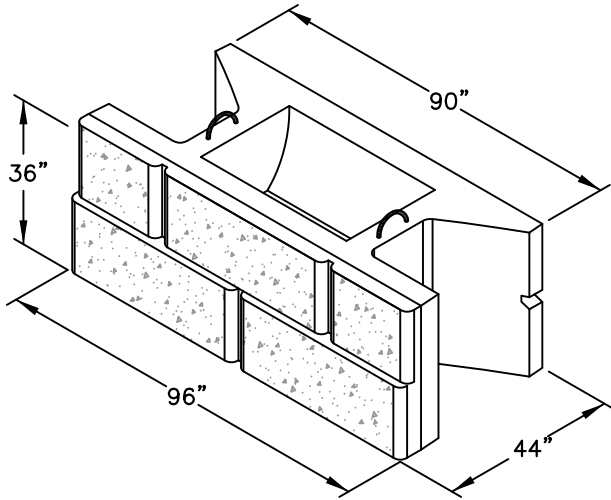


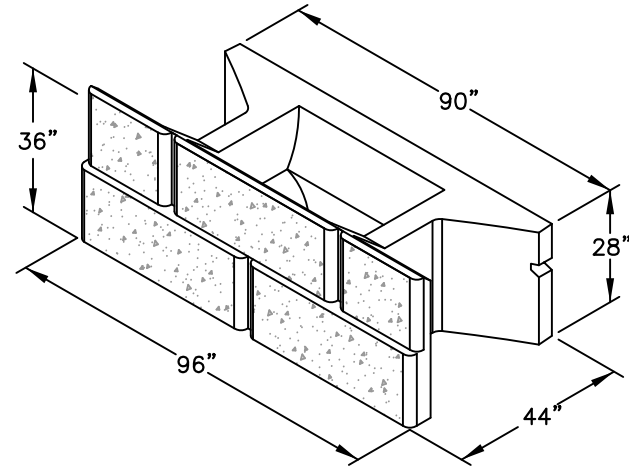
NOTES:

1. SEE TECH MEMO TM-2018-01 FOR BLOCK REINFORCEMENT REQUIREMENTS.
2. VARIOUS FACE TEXTURES ARE AVAILABLE. WHERE MULTIPLE PATTERNS ARE USED WITHIN A TEXTURE, INSTALL PATTERNS RANDOMLY.



STONE STRONG 24SF UNIT
BATTERED FACE

NOT TO SCALE



STONE STRONG 24SF TOP UNIT
BATTERED FACE

NOT TO SCALE

DISCLAIMER:

These typical details are preliminary and conceptual in nature. They are provided for general information purposes only. Anyone making use of these details and related information does so at their own risk and assumes all liability for such use. Site specific design should be performed by a licensed Professional Engineer based on actual site conditions, materials, and local practices.

Stone Strong LLC retains all common law, statutory, and other reserved rights to these drawings including the copyright. Limited license is granted to copy, reproduce, or modify the details to prepare construction drawings for Stone Strong retaining walls. Stone Strong LLC makes no warranties, either expressed or implied, of merchantability or fitness for any particular purpose, and accepts no responsibility for the accuracy, suitability, or completeness of information contained herein.



www.stonestrong.com

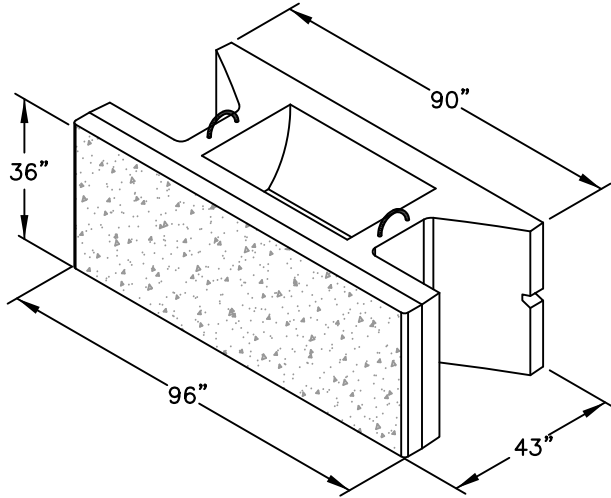
PROJECT

COMPONENTS
STONE STRONG SYSTEMS

DATE: 6/29/18 | FILE: 01_Block.24sf.Batt

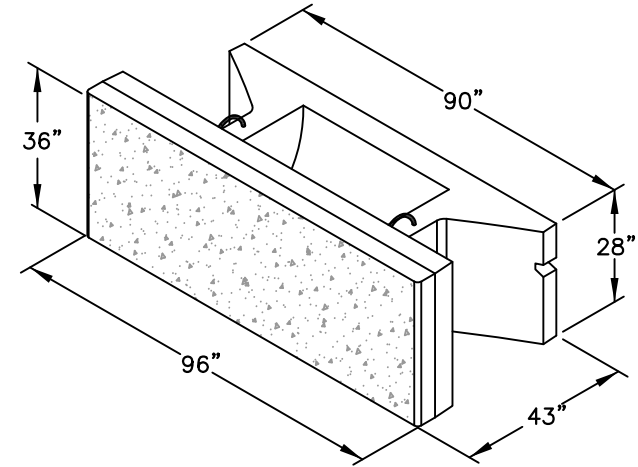
NOTES:

1. SEE TECH MEMO TM-2018-01 FOR BLOCK REINFORCEMENT REQUIREMENTS.
2. VARIOUS FACE TEXTURES ARE AVAILABLE. WHERE MULTIPLE PATTERNS ARE USED WITHIN A TEXTURE, INSTALL PATTERNS RANDOMLY.



STONE STRONG 24SF UNIT
VERTICAL FACE

NOT TO SCALE



STONE STRONG 24SF TOP UNIT
VERTICAL FACE

NOT TO SCALE

DISCLAIMER:

These typical details are preliminary and conceptual in nature. They are provided for general information purposes only. Anyone making use of these details and related information does so at their own risk and assumes all liability for such use. Site specific design should be performed by a licensed Professional Engineer based on actual site conditions, materials, and local practices.

Stone Strong LLC retains all common law, statutory, and other reserved rights to these drawings including the copyright. Limited license is granted to copy, reproduce, or modify the details to prepare construction drawings for Stone Strong retaining walls. Stone Strong LLC makes no warranties, either expressed or implied, of merchantability or fitness for any particular purpose, and accepts no responsibility for the accuracy, suitability, or completeness of information contained herein.

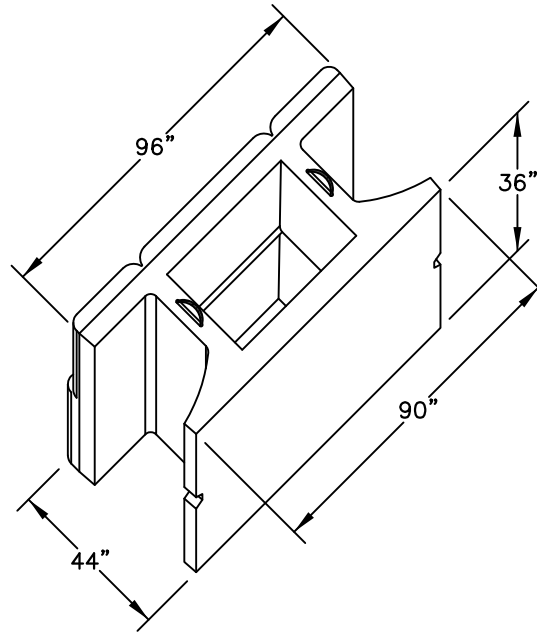


www.stonestrong.com

PROJECT

COMPONENTS
STONE STRONG SYSTEMS

DATE: 6/29/18 | FILE: 02_Block.24sf.Vert



REAR VIEW
STONE STRONG 24SF UNIT
 NOT TO SCALE

DISCLAIMER:

These typical details are preliminary and conceptual in nature. They are provided for general information purposes only. Anyone making use of these details and related information does so at their own risk and assumes all liability for such use. Site specific design should be performed by a licensed Professional Engineer based on actual site conditions, materials, and local practices.

Stone Strong LLC retains all common law, statutory, and other reserved rights to these drawings including the copyright. Limited license is granted to copy, reproduce, or modify the details to prepare construction drawings for Stone Strong retaining walls. Stone Strong LLC makes no warranties, either expressed or implied, of merchantability or fitness for any particular purpose, and accepts no responsibility for the accuracy, suitability, or completeness of information contained herein.



www.stonestrong.com

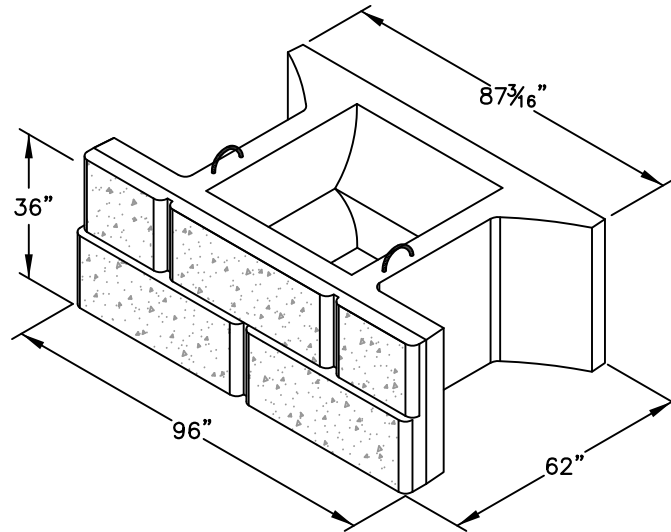
PROJECT

COMPONENTS
 STONE STRONG SYSTEMS

DATE: 6/29/18 | FILE: 03_Block.24sf.Rear

NOTES:

1. SEE TECH MEMO TM-2018-01 FOR BLOCK REINFORCEMENT REQUIREMENTS.



STONE STRONG 24-62 UNIT

NOT TO SCALE

CHECK ON AVAILABILITY OF ALL UNITS w/ LOCAL PRODUCER/ DEALER. SOME UNITS MAY HAVE LIMITED AVAILABILITY.

DISCLAIMER:

These typical details are preliminary and conceptual in nature. They are provided for general information purposes only. Anyone making use of these details and related information does so at their own risk and assumes all liability for such use. Site specific design should be performed by a licensed Professional Engineer based on actual site conditions, materials, and local practices.

Stone Strong LLC retains all common law, statutory, and other reserved rights to these drawings including the copyright. Limited license is granted to copy, reproduce, or modify the details to prepare construction drawings for Stone Strong retaining walls. Stone Strong LLC makes no warranties, either expressed or implied, of merchantability or fitness for any particular purpose, and accepts no responsibility for the accuracy, suitability, or completeness of information contained herein.



www.stonestrong.com

PROJECT

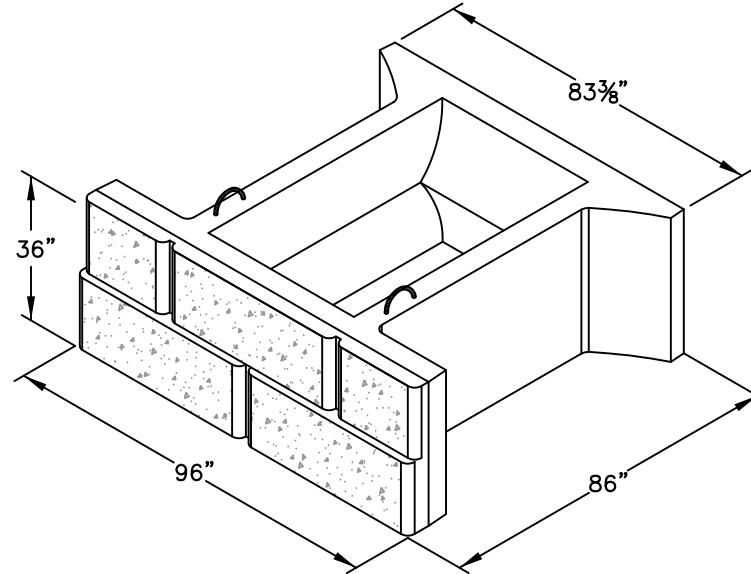
COMPONENTS
STONE STRONG SYSTEMS

DATE: 6/29/18

FILE: 04_Block.24-62

NOTES:

1. SEE TECH MEMO TM-2018-01 FOR BLOCK REINFORCEMENT REQUIREMENTS.



STONE STRONG 24-86 UNIT

NOT TO SCALE

CHECK ON AVAILABILITY OF ALL UNITS w/ LOCAL PRODUCER/ DEALER. SOME UNITS MAY HAVE LIMITED AVAILABILITY.

DISCLAIMER:

These typical details are preliminary and conceptual in nature. They are provided for general information purposes only. Anyone making use of these details and related information does so at their own risk and assumes all liability for such use. Site specific design should be performed by a licensed Professional Engineer based on actual site conditions, materials, and local practices.

Stone Strong LLC retains all common law, statutory, and other reserved rights to these drawings including the copyright. Limited license is granted to copy, reproduce, or modify the details to prepare construction drawings for Stone Strong retaining walls. Stone Strong LLC makes no warranties, either expressed or implied, of merchantability or fitness for any particular purpose, and accepts no responsibility for the accuracy, suitability, or completeness of information contained herein.



www.stonestrong.com

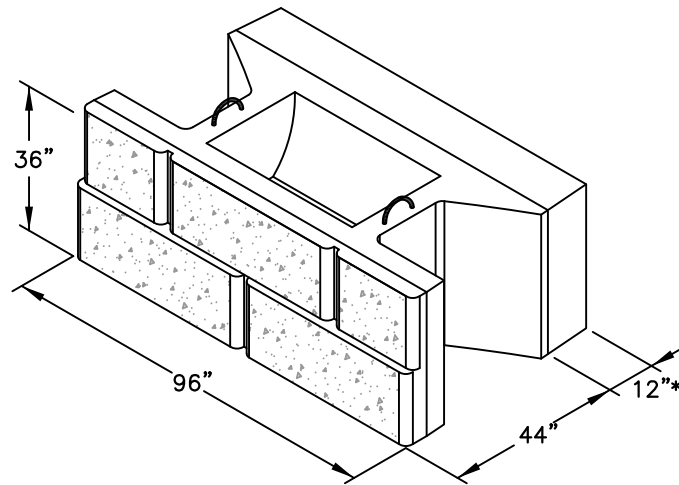
PROJECT

COMPONENTS
STONE STRONG SYSTEMS

DATE: 6/29/18 | FILE: 05_Block.24-86

NOTES:

1. SEE TECH MEMO TM-2018-01 FOR BLOCK REINFORCEMENT REQUIREMENTS.



*OR AS INDICATED
ON LAYOUT/ELEVATION

STONE STRONG 24SF UNIT w/MASS EXTENDER

NOT TO SCALE

CHECK ON AVAILABILITY OF ALL UNITS w/ LOCAL PRODUCER/
DEALER. SOME UNITS MAY HAVE LIMITED AVAILABILITY.

DISCLAIMER:

These typical details are preliminary and conceptual in nature. They are provided for general information purposes only. Anyone making use of these details and related information does so at their own risk and assumes all liability for such use. Site specific design should be performed by a licensed Professional Engineer based on actual site conditions, materials, and local practices.

Stone Strong LLC retains all common law, statutory, and other reserved rights to these drawings including the copyright. Limited license is granted to copy, reproduce, or modify the details to prepare construction drawings for Stone Strong retaining walls. Stone Strong LLC makes no warranties, either expressed or implied, of merchantability or fitness for any particular purpose, and accepts no responsibility for the accuracy, suitability, or completeness of information contained herein.



www.stonestrong.com

PROJECT

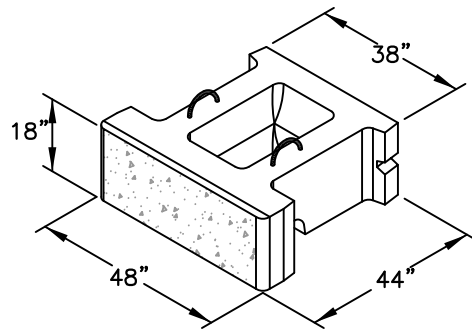
COMPONENTS
STONE STRONG SYSTEMS

DATE: 6/29/18

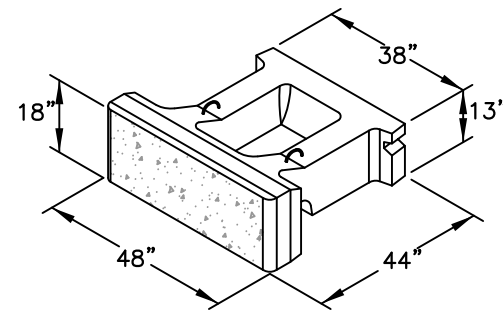
FILE: 06_Block.24sf.MassExt

NOTES:

1. SEE TECH MEMO TM-2018-01 FOR BLOCK REINFORCEMENT REQUIREMENTS.



STONE STRONG 6SF UNIT
NOT TO SCALE



STONE STRONG 6SF TOP UNIT
NOT TO SCALE

DISCLAIMER:

These typical details are preliminary and conceptual in nature. They are provided for general information purposes only. Anyone making use of these details and related information does so at their own risk and assumes all liability for such use. Site specific design should be performed by a licensed Professional Engineer based on actual site conditions, materials, and local practices.

Stone Strong LLC retains all common law, statutory, and other reserved rights to these drawings including the copyright. Limited license is granted to copy, reproduce, or modify the details to prepare construction drawings for Stone Strong retaining walls. Stone Strong LLC makes no warranties, either expressed or implied, of merchantability or fitness for any particular purpose, and accepts no responsibility for the accuracy, suitability, or completeness of information contained herein.

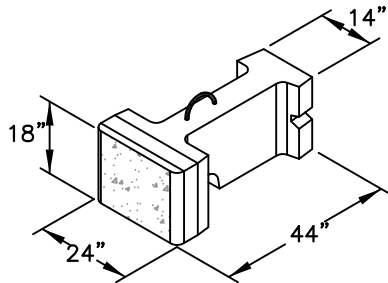


www.stonestrong.com

PROJECT

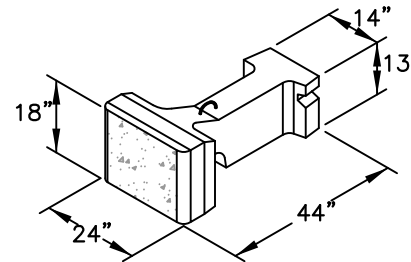
COMPONENTS
STONE STRONG SYSTEMS

DATE: 6/29/18 | FILE: 07_Block.6sf



STONE STRONG 3SF UNIT

NOT TO SCALE



STONE STRONG 3SF TOP UNIT

NOT TO SCALE

DISCLAIMER:

These typical details are preliminary and conceptual in nature. They are provided for general information purposes only. Anyone making use of these details and related information does so at their own risk and assumes all liability for such use. Site specific design should be performed by a licensed Professional Engineer based on actual site conditions, materials, and local practices.

Stone Strong LLC retains all common law, statutory, and other reserved rights to these drawings including the copyright. Limited license is granted to copy, reproduce, or modify the details to prepare construction drawings for Stone Strong retaining walls. Stone Strong LLC makes no warranties, either expressed or implied, of merchantability or fitness for any particular purpose, and accepts no responsibility for the accuracy, suitability, or completeness of information contained herein.



www.stonestrong.com

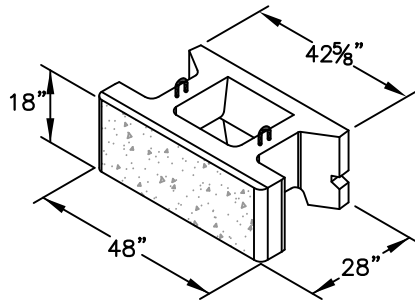
PROJECT

COMPONENTS
STONE STRONG SYSTEMS

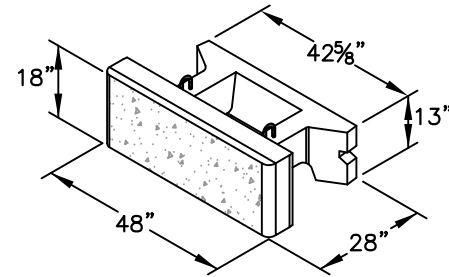
DATE: 6/29/18 | FILE: 08_Block.3sf

NOTES:

1. SEE TECH MEMO TM-2018-01 FOR BLOCK REINFORCEMENT REQUIREMENTS.



STONE STRONG 6-28 UNIT
NOT TO SCALE



STONE STRONG 6-28 TOP UNIT
NOT TO SCALE

CHECK ON AVAILABILITY OF ALL UNITS w/ LOCAL PRODUCER/
DEALER. SOME UNITS MAY HAVE LIMITED AVAILABILITY.

DISCLAIMER:

These typical details are preliminary and conceptual in nature. They are provided for general information purposes only. Anyone making use of these details and related information does so at their own risk and assumes all liability for such use. Site specific design should be performed by a licensed Professional Engineer based on actual site conditions, materials, and local practices.

Stone Strong LLC retains all common law, statutory, and other reserved rights to these drawings including the copyright. Limited license is granted to copy, reproduce, or modify the details to prepare construction drawings for Stone Strong retaining walls. Stone Strong LLC makes no warranties, either expressed or implied, of merchantability or fitness for any particular purpose, and accepts no responsibility for the accuracy, suitability, or completeness of information contained herein.



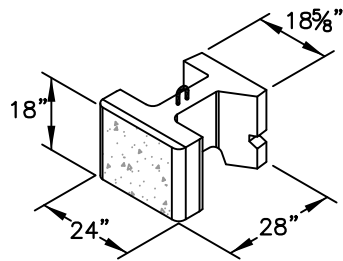
www.stonestrong.com

PROJECT

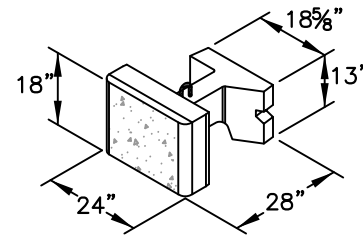
COMPONENTS
STONE STRONG SYSTEMS

DATE: 6/29/18

FILE: 09_Block.6-28



STONE STRONG
3-28 UNIT
 NOT TO SCALE



STONE STRONG
3-28 TOP UNIT
 NOT TO SCALE

CHECK ON AVAILABILITY OF ALL UNITS w/ LOCAL PRODUCER/
 DEALER. SOME UNITS MAY HAVE LIMITED AVAILABILITY.

DISCLAIMER:

These typical details are preliminary and conceptual in nature. They are provided for general information purposes only. Anyone making use of these details and related information does so at their own risk and assumes all liability for such use. Site specific design should be performed by a licensed Professional Engineer based on actual site conditions, materials, and local practices.

Stone Strong LLC retains all common law, statutory, and other reserved rights to these drawings including the copyright. Limited license is granted to copy, reproduce, or modify the details to prepare construction drawings for Stone Strong retaining walls. Stone Strong LLC makes no warranties, either expressed or implied, of merchantability or fitness for any particular purpose, and accepts no responsibility for the accuracy, suitability, or completeness of information contained herein.



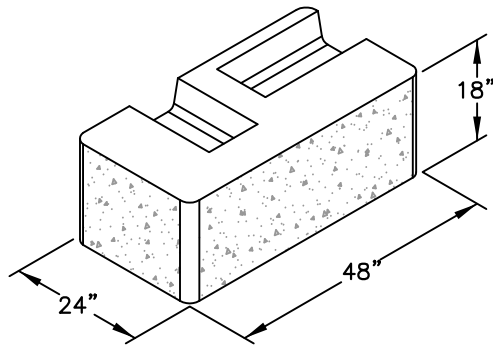
www.stonestrong.com

PROJECT

COMPONENTS
 STONE STRONG SYSTEMS

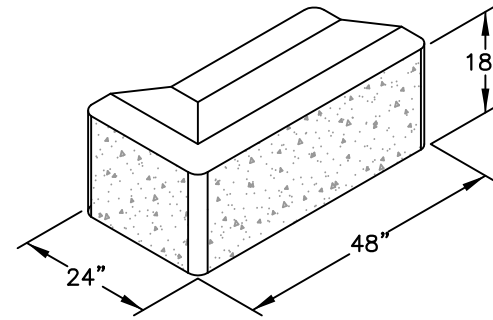
DATE: 6/29/18

FILE: 10_Block.3-28



STONE STRONG CORNER UNIT

NOT TO SCALE



STONE STRONG END UNIT

NOT TO SCALE

DISCLAIMER:

These typical details are preliminary and conceptual in nature. They are provided for general information purposes only. Anyone making use of these details and related information does so at their own risk and assumes all liability for such use. Site specific design should be performed by a licensed Professional Engineer based on actual site conditions, materials, and local practices.

Stone Strong LLC retains all common law, statutory, and other reserved rights to these drawings including the copyright. Limited license is granted to copy, reproduce, or modify the details to prepare construction drawings for Stone Strong retaining walls. Stone Strong LLC makes no warranties, either expressed or implied, of merchantability or fitness for any particular purpose, and accepts no responsibility for the accuracy, suitability, or completeness of information contained herein.



www.stonestrong.com

PROJECT

COMPONENTS
STONE STRONG SYSTEMS

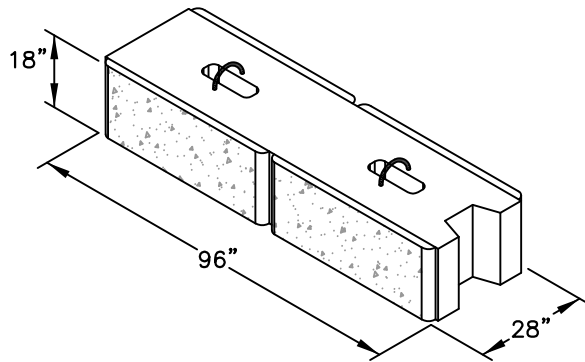
DATE: 6/29/18 | FILE: 11_Block.End.Corner

NOTE:

ENDS MAY BE MITERED FOR INSTALLATION ON A RADIUS. UNITS MAY BE CUT OR FORMED AS NEEDED IN LENGTHS BETWEEN 2.0 FEET AND 8.0 FEET.

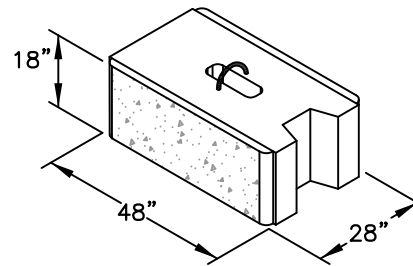
OPTIONAL:

BACKER RODS, GROUT OR MASTIC MAY BE USED BETWEEN COURSES.



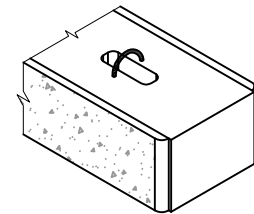
STONE STRONG
DUAL FACE UNIT

NOT TO SCALE



STONE STRONG
DUAL FACE HALF UNIT

NOT TO SCALE



ALTERNATE
FINISHED END

NOT TO SCALE

CHECK ON AVAILABILITY OF ALL UNITS w/ LOCAL PRODUCER/ DEALER. SOME UNITS MAY HAVE LIMITED AVAILABILITY.

DISCLAIMER:

These typical details are preliminary and conceptual in nature. They are provided for general information purposes only. Anyone making use of these details and related information does so at their own risk and assumes all liability for such use. Site specific design should be performed by a licensed Professional Engineer based on actual site conditions, materials, and local practices.

Stone Strong LLC retains all common law, statutory, and other reserved rights to these drawings including the copyright. Limited license is granted to copy, reproduce, or modify the details to prepare construction drawings for Stone Strong retaining walls. Stone Strong LLC makes no warranties, either expressed or implied, of merchantability or fitness for any particular purpose, and accepts no responsibility for the accuracy, suitability, or completeness of information contained herein.



www.stonestrong.com

PROJECT

COMPONENTS
STONE STRONG SYSTEMS

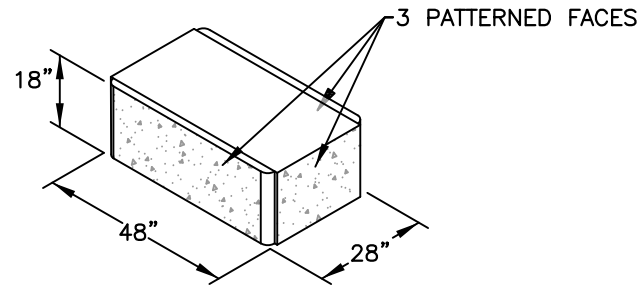
DATE: 6/29/18

FILE: 12_Block.DualFace

NOTE:

OPTIONAL:

BACKER RODS, GROUT OR MASTIC MAY BE USED BETWEEN COURSES.



STONE STRONG
DUAL FACE END UNIT

NOT TO SCALE

CHECK ON AVAILABILITY OF ALL UNITS w/ LOCAL PRODUCER/ DEALER. SOME UNITS MAY HAVE LIMITED AVAILABILITY.

DISCLAIMER:

These typical details are preliminary and conceptual in nature. They are provided for general information purposes only. Anyone making use of these details and related information does so at their own risk and assumes all liability for such use. Site specific design should be performed by a licensed Professional Engineer based on actual site conditions, materials, and local practices.

Stone Strong LLC retains all common law, statutory, and other reserved rights to these drawings including the copyright. Limited license is granted to copy, reproduce, or modify the details to prepare construction drawings for Stone Strong retaining walls. Stone Strong LLC makes no warranties, either expressed or implied, of merchantability or fitness for any particular purpose, and accepts no responsibility for the accuracy, suitability, or completeness of information contained herein.



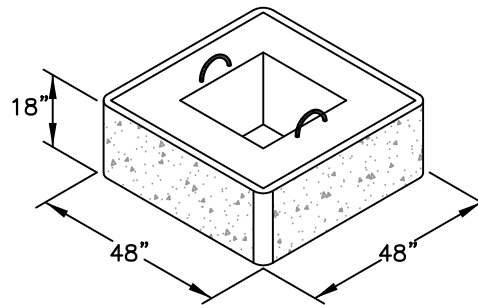
www.stonestrong.com

PROJECT

COMPONENTS
STONE STRONG SYSTEMS

DATE: 6/29/18

FILE: 13_Block.Dual Face End



STONE STRONG 90° CORNER UNIT

NOT TO SCALE

CHECK ON AVAILABILITY OF ALL UNITS w/ LOCAL PRODUCER/
DEALER. SOME UNITS MAY HAVE LIMITED AVAILABILITY.

DISCLAIMER:

These typical details are preliminary and conceptual in nature. They are provided for general information purposes only. Anyone making use of these details and related information does so at their own risk and assumes all liability for such use. Site specific design should be performed by a licensed Professional Engineer based on actual site conditions, materials, and local practices.

Stone Strong LLC retains all common law, statutory, and other reserved rights to these drawings including the copyright. Limited license is granted to copy, reproduce, or modify the details to prepare construction drawings for Stone Strong retaining walls. Stone Strong LLC makes no warranties, either expressed or implied, of merchantability or fitness for any particular purpose, and accepts no responsibility for the accuracy, suitability, or completeness of information contained herein.

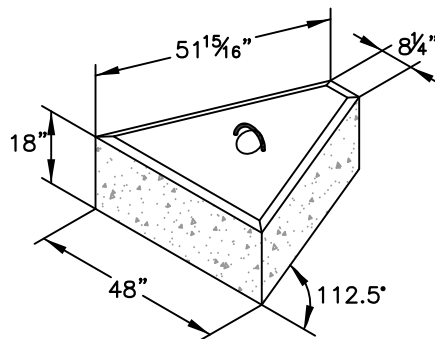


www.stonestrong.com

PROJECT

COMPONENTS
STONE STRONG SYSTEMS

DATE: 6/29/18 | FILE: 14_Block.90Corner



STONE STRONG 45° CORNER UNIT

NOT TO SCALE

CHECK ON AVAILABILITY OF ALL UNITS w/ LOCAL PRODUCER/ DEALER. SOME UNITS MAY HAVE LIMITED AVAILABILITY.

DISCLAIMER:

These typical details are preliminary and conceptual in nature. They are provided for general information purposes only. Anyone making use of these details and related information does so at their own risk and assumes all liability for such use. Site specific design should be performed by a licensed Professional Engineer based on actual site conditions, materials, and local practices.

Stone Strong LLC retains all common law, statutory, and other reserved rights to these drawings including the copyright. Limited license is granted to copy, reproduce, or modify the details to prepare construction drawings for Stone Strong retaining walls. Stone Strong LLC makes no warranties, either expressed or implied, of merchantability or fitness for any particular purpose, and accepts no responsibility for the accuracy, suitability, or completeness of information contained herein.



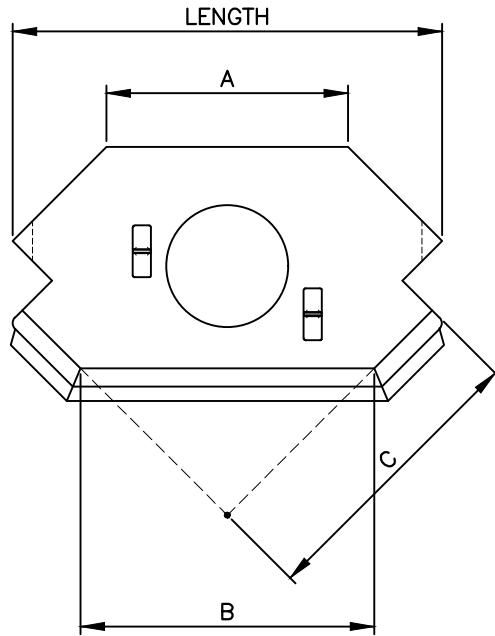
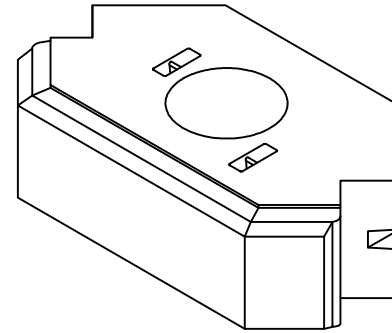
www.stonestrong.com

PROJECT

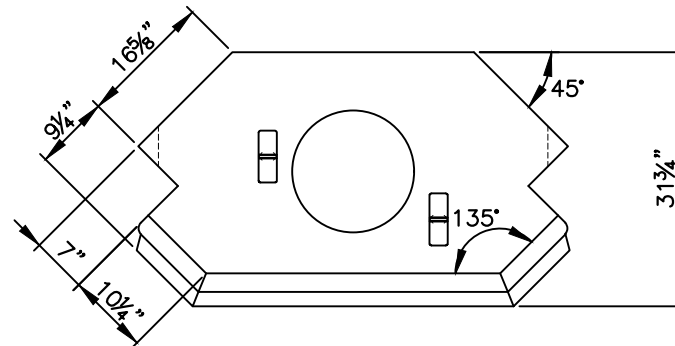
COMPONENTS
STONE STRONG SYSTEMS

DATE: 6/29/18 | FILE: 15_Block.45Corner

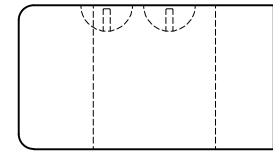
Block #	Length	A	B	C	Block Weight
O1	65 in 1652 mm	42 in 1054 mm	53 in 1347 mm	50 in 1276 mm	2835 lbs 1286 kg
O2	59 in 1508 mm	36 in 910 mm	47 in 1203 mm	46 in 1175 mm	2550 lbs 1155 kg
O3	56 in 1415 mm	30 in 767 mm	42 in 1060 mm	42 in 1073 mm	2255 lbs 1025 kg
O4	48 in 1221 mm	25 in 623 mm	36 in 916 mm	38 in 972 mm	1955 lbs 885 kg
O5	42 in 1077 mm	19 in 479 mm	30 in 772 mm	34 in 870 mm	1670 lbs 760 kg
O6	37 in 933 mm	13 in 336 mm	25 in 629 mm	30 in 768 mm	1370 lbs 620 kg



PLAN VIEW
VARIABLE DIMENSIONS



PLAN VIEW
FIXED DIMENSIONS



END VIEW

STONE STRONG OUTSIDE CORNER UNIT

NOT TO SCALE

DISCLAIMER:

These typical details are preliminary and conceptual in nature. They are provided for general information purposes only. Anyone making use of these details and related information does so at their own risk and assumes all liability for such use. Site specific design should be performed by a licensed Professional Engineer based on actual site conditions, materials, and local practices.

Stone Strong LLC retains all common law, statutory, and other reserved rights to these drawings including the copyright. Limited license is granted to copy, reproduce, or modify the details to prepare construction drawings for Stone Strong retaining walls. Stone Strong LLC makes no warranties, either expressed or implied, of merchantability or fitness for any particular purpose, and accepts no responsibility for the accuracy, suitability, or completeness of information contained herein.

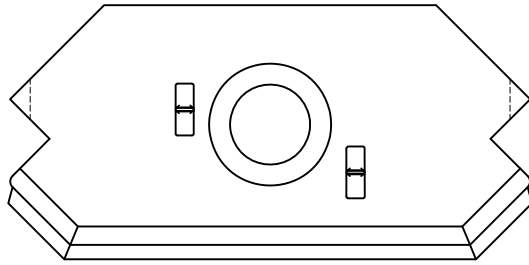


www.stonestrong.com

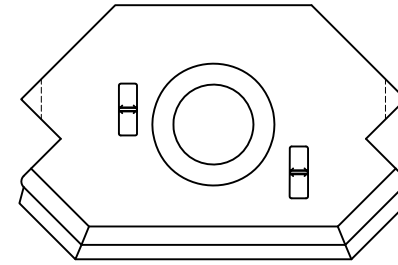
PROJECT

COMPONENTS
STONE STRONG SYSTEMS

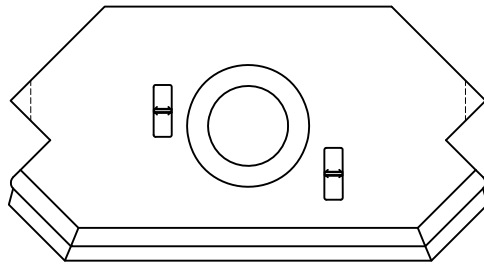
DATE: 12/16/19 | FILE: 16_Outside Corner Block



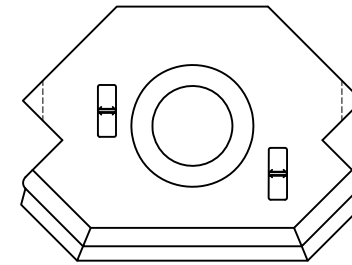
BLOCK NUMBER 01



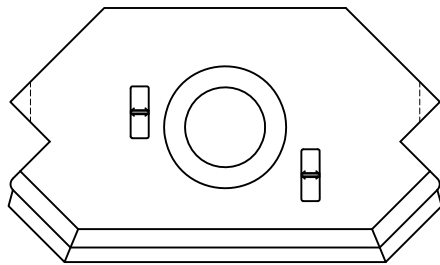
BLOCK NUMBER 04



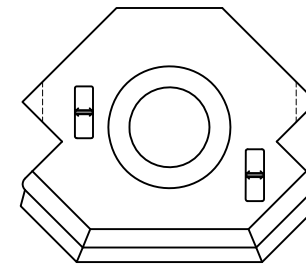
BLOCK NUMBER 02



BLOCK NUMBER 05



BLOCK NUMBER 03



BLOCK NUMBER 06

STONE STRONG OUTSIDE CORNER UNITS

NOT TO SCALE

DISCLAIMER:

These typical details are preliminary and conceptual in nature. They are provided for general information purposes only. Anyone making use of these details and related information does so at their own risk and assumes all liability for such use. Site specific design should be performed by a licensed Professional Engineer based on actual site conditions, materials, and local practices.

Stone Strong LLC retains all common law, statutory, and other reserved rights to these drawings including the copyright. Limited license is granted to copy, reproduce, or modify the details to prepare construction drawings for Stone Strong retaining walls. Stone Strong LLC makes no warranties, either expressed or implied, of merchantability or fitness for any particular purpose, and accepts no responsibility for the accuracy, suitability, or completeness of information contained herein.



www.stonestrong.com

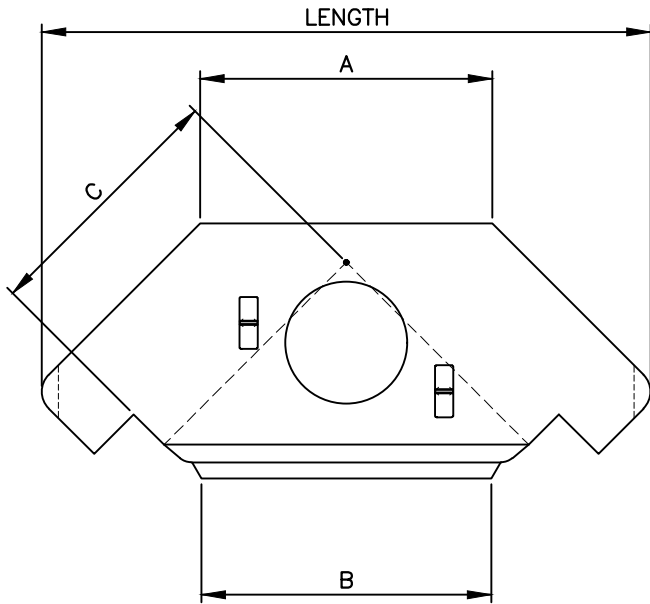
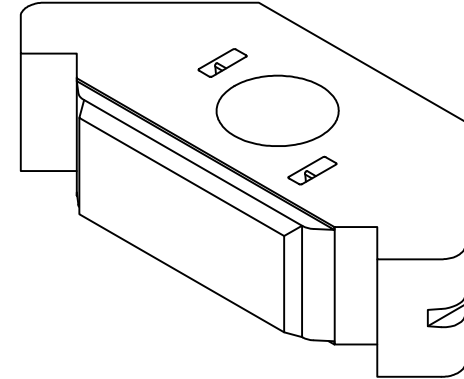
PROJECT

COMPONENTS
STONE STRONG SYSTEMS

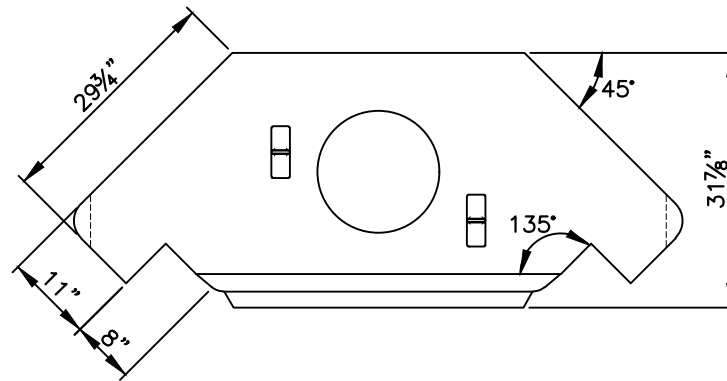
DATE: 6/29/18

FILE: 17_Corner Units.Outside

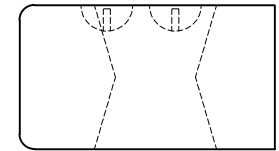
Block #	Length	A	B	C	Block Weight
I1	65 in 1646 mm	25 in 641 mm	25 in 633 mm	19 in 485 mm	2070 lbs 940 kg
I2	70 in 1790 mm	31 in 784 mm	31 in 777 mm	23 in 593 mm	2350 lbs 1065 kg
I3	76 in 1934 mm	37 in 928 mm	36 in 921 mm	27 in 694 mm	2630 lbs 1195 kg
I4	82 in 2077 mm	42 in 1072 mm	42 in 1064 mm	31 in 796 mm	2900 lbs 1315 kg
I5	87 in 2221 mm	48 in 1215 mm	48 in 1208 mm	35 in 896 mm	3180 lbs 1445 kg
I6	93 in 2365 mm	54 in 1359 mm	53 in 1352 mm	39 in 997 mm	3460 lbs 1570 kg



PLAN VIEW
VARIABLE DIMENSIONS



PLAN VIEW
FIXED DIMENSIONS



END VIEW

STONE STRONG INSIDE CORNER UNIT

NOT TO SCALE

DISCLAIMER:

These typical details are preliminary and conceptual in nature. They are provided for general information purposes only. Anyone making use of these details and related information does so at their own risk and assumes all liability for such use. Site specific design should be performed by a licensed Professional Engineer based on actual site conditions, materials, and local practices.

Stone Strong LLC retains all common law, statutory, and other reserved rights to these drawings including the copyright. Limited license is granted to copy, reproduce, or modify the details to prepare construction drawings for Stone Strong retaining walls. Stone Strong LLC makes no warranties, either expressed or implied, of merchantability or fitness for any particular purpose, and accepts no responsibility for the accuracy, suitability, or completeness of information contained herein.

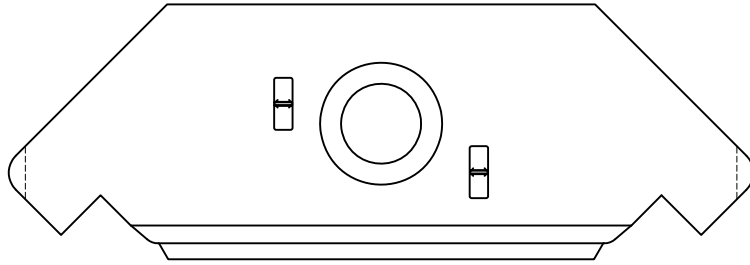


www.stonestrong.com

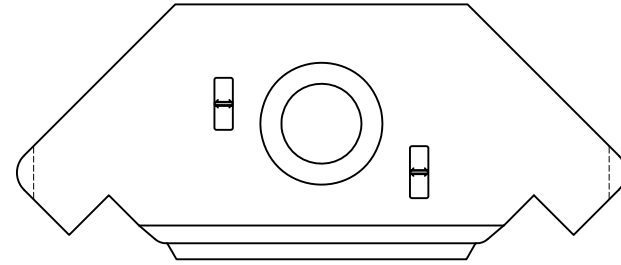
PROJECT

COMPONENTS
STONE STRONG SYSTEMS

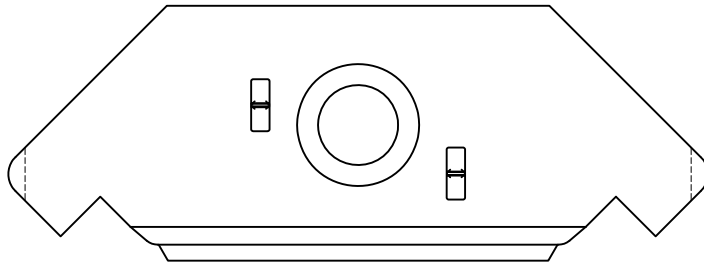
DATE: 12/16/19 | FILE: 18_Inside Corner Block



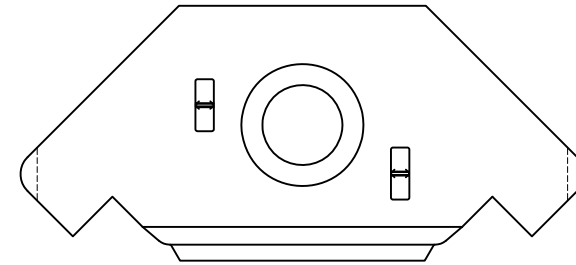
BLOCK NUMBER 11



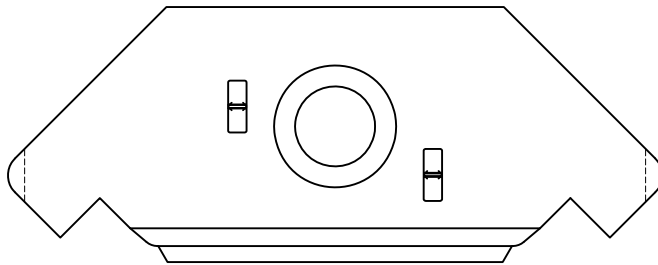
BLOCK NUMBER 14



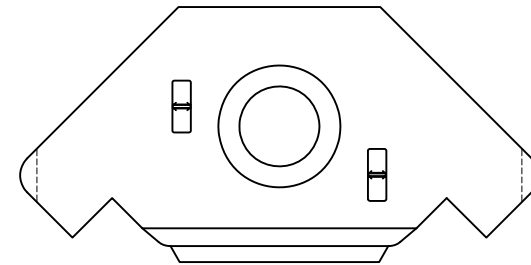
BLOCK NUMBER 12



BLOCK NUMBER 15



BLOCK NUMBER 13



BLOCK NUMBER 16

STONE STRONG INSIDE CORNER UNITS

NOT TO SCALE

DISCLAIMER:

These typical details are preliminary and conceptual in nature. They are provided for general information purposes only. Anyone making use of these details and related information does so at their own risk and assumes all liability for such use. Site specific design should be performed by a licensed Professional Engineer based on actual site conditions, materials, and local practices.

Stone Strong LLC retains all common law, statutory, and other reserved rights to these drawings including the copyright. Limited license is granted to copy, reproduce, or modify the details to prepare construction drawings for Stone Strong retaining walls. Stone Strong LLC makes no warranties, either expressed or implied, of merchantability or fitness for any particular purpose, and accepts no responsibility for the accuracy, suitability, or completeness of information contained herein.



www.stonestrong.com

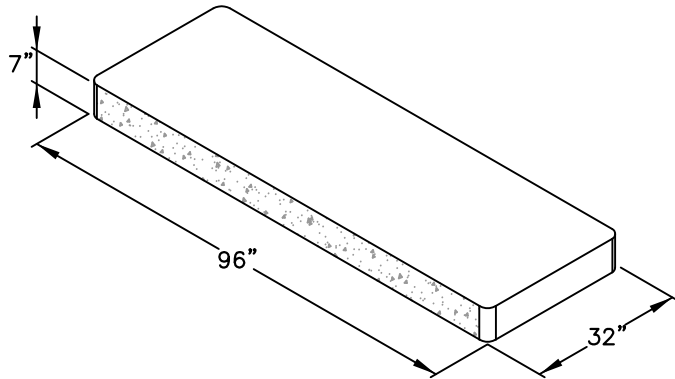
PROJECT

COMPONENTS
STONE STRONG SYSTEMS

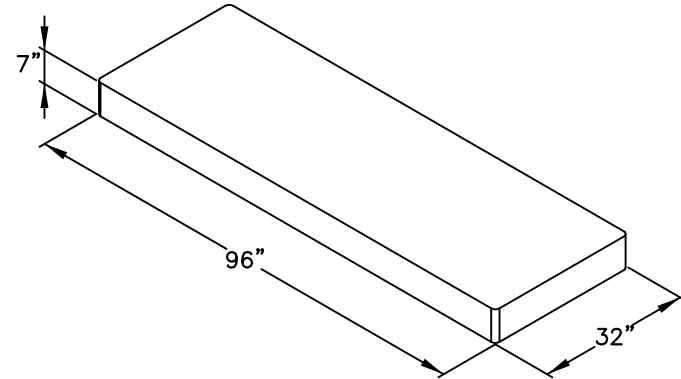
DATE: 6/29/18

FILE: 19_Corner Units.Outside

NOTE:
 ENDS MAY BE MITERED FOR INSTALLATION ON A RADIUS. UNITS MAY BE CUT OR FORMED AS NEEDED IN LENGTHS BETWEEN 2.0 FEET AND 8.0 FEET.



CAP-STEP BLOCK
 NOT TO SCALE



FLAT CAP-STEP BLOCK
 NOT TO SCALE

DISCLAIMER:

These typical details are preliminary and conceptual in nature. They are provided for general information purposes only. Anyone making use of these details and related information does so at their own risk and assumes all liability for such use. Site specific design should be performed by a licensed Professional Engineer based on actual site conditions, materials, and local practices.

Stone Strong LLC retains all common law, statutory, and other reserved rights to these drawings including the copyright. Limited license is granted to copy, reproduce, or modify the details to prepare construction drawings for Stone Strong retaining walls. Stone Strong LLC makes no warranties, either expressed or implied, of merchantability or fitness for any particular purpose, and accepts no responsibility for the accuracy, suitability, or completeness of information contained herein.

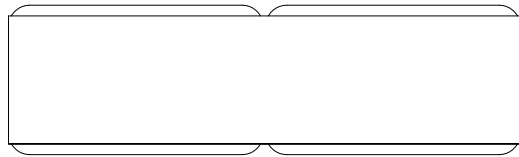


www.stonestrong.com

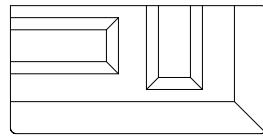
PROJECT

COMPONENTS
 STONE STRONG SYSTEMS

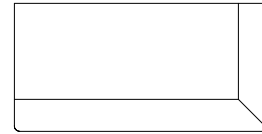
DATE: 6/29/18 | FILE: 20_Block.Cap



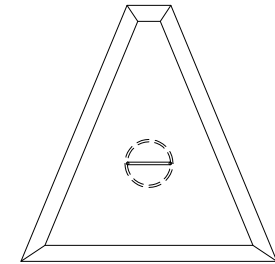
DUAL FACE UNIT



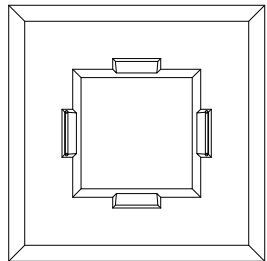
CORNER UNIT



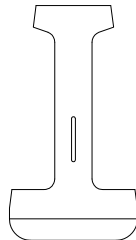
END UNIT



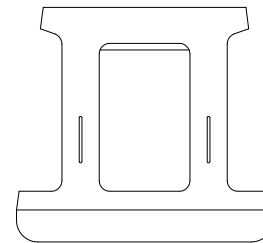
45° CORNER UNIT



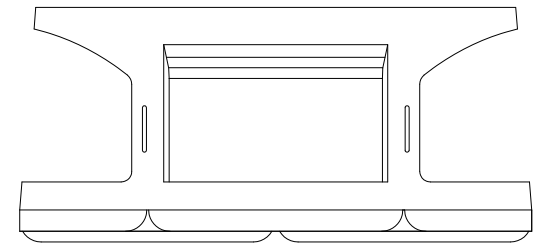
90° CORNER UNIT



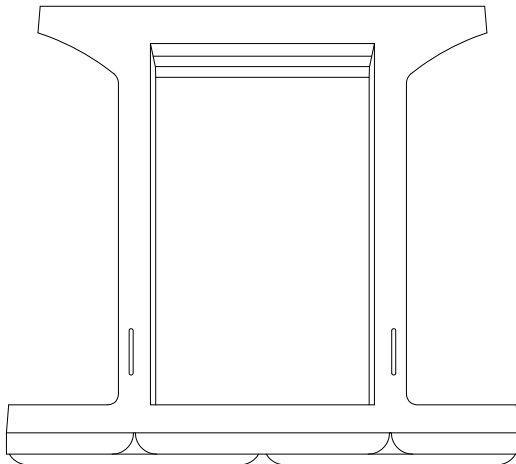
3SF UNIT



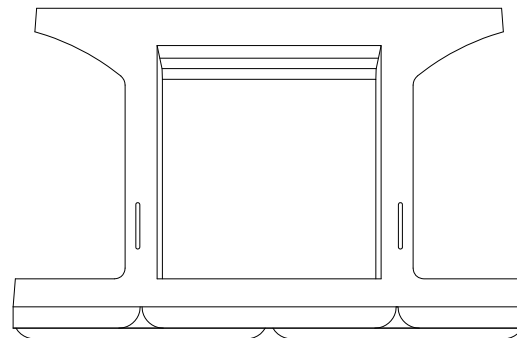
6SF UNIT



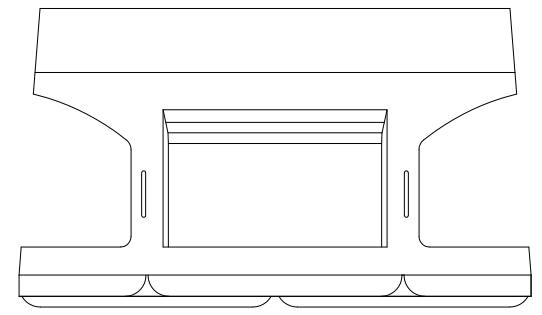
24SF UNIT



24-86 UNIT



24-62 UNIT



24SF MASS EXTENDER UNIT

STANDARD LAYOUT ELEMENTS

DISCLAIMER:

These typical details are preliminary and conceptual in nature. They are provided for general information purposes only. Anyone making use of these details and related information does so at their own risk and assumes all liability for such use. Site specific design should be performed by a licensed Professional Engineer based on actual site conditions, materials, and local practices.

Stone Strong LLC retains all common law, statutory, and other reserved rights to these drawings including the copyright. Limited license is granted to copy, reproduce, or modify the details to prepare construction drawings for Stone Strong retaining walls. Stone Strong LLC makes no warranties, either expressed or implied, of merchantability or fitness for any particular purpose, and accepts no responsibility for the accuracy, suitability, or completeness of information contained herein.



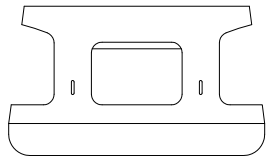
www.stonestrong.com

PROJECT

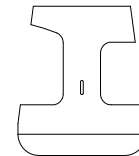
COMPONENTS
STONE STRONG SYSTEMS

DATE: 6/29/18

FILE: 21_UnitPlanView



6-28 UNIT



3-28 UNIT

STANDARD LAYOUT ELEMENTS

DISCLAIMER:

These typical details are preliminary and conceptual in nature. They are provided for general information purposes only. Anyone making use of these details and related information does so at their own risk and assumes all liability for such use. Site specific design should be performed by a licensed Professional Engineer based on actual site conditions, materials, and local practices.

Stone Strong LLC retains all common law, statutory, and other reserved rights to these drawings including the copyright. Limited license is granted to copy, reproduce, or modify the details to prepare construction drawings for Stone Strong retaining walls. Stone Strong LLC makes no warranties, either expressed or implied, of merchantability or fitness for any particular purpose, and accepts no responsibility for the accuracy, suitability, or completeness of information contained herein.



www.stonestrong.com

PROJECT

COMPONENTS
STONE STRONG SYSTEMS

DATE: 6/29/18 | FILE: 22_UnitPlanView-2