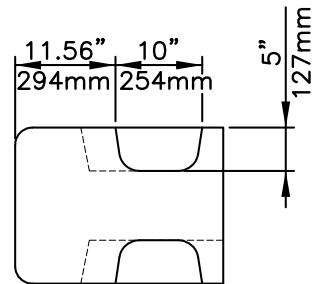
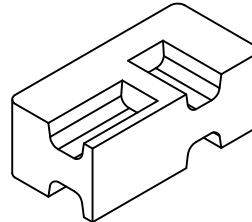
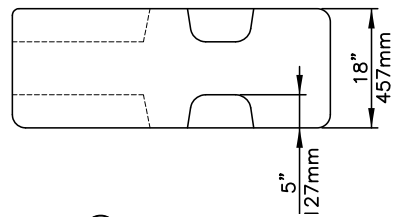
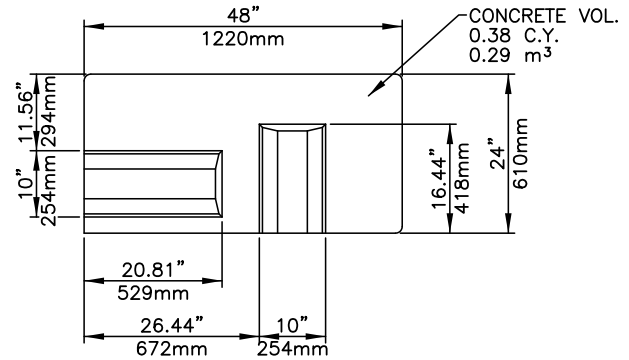


**END UNIT**



**CORNER UNIT**

Block Wt.	1,300 lbs	590 kg
Form Wt.	1,650 lbs	750 kg
Concrete Volume	0.33 CY	0.25 m <sup>3</sup>

Block Wt.	1,500 lbs	680 kg
Form Wt.	1,490 lbs	675 kg
Concrete Volume	0.38 CY	0.29 m <sup>3</sup>