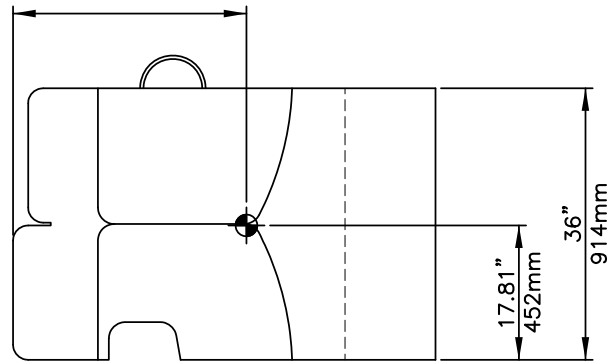
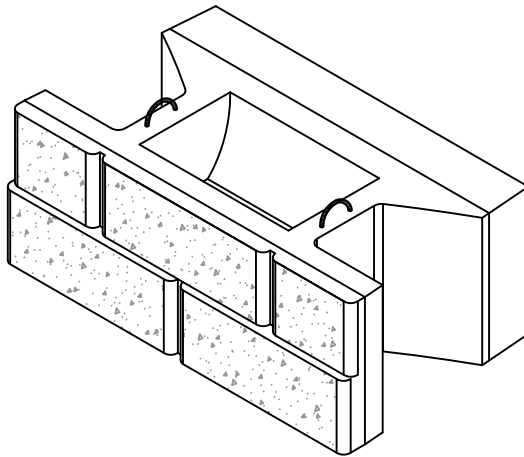
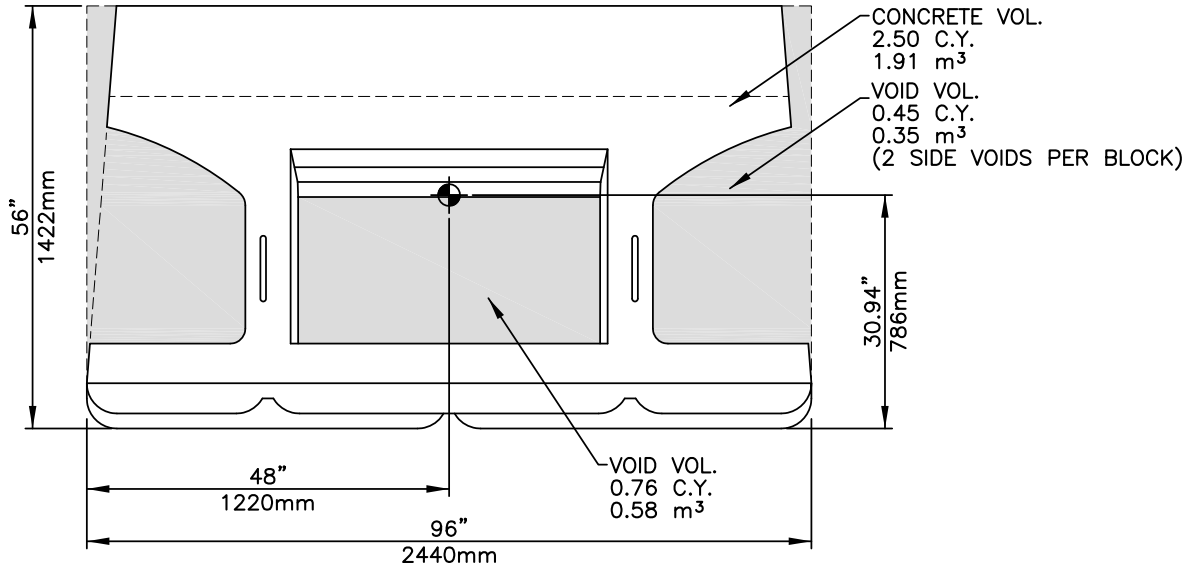


SYSTEM COMPONENTS

24 SF MASS EXTENDER BLOCK



Block Wt.	10,000 lbs	4,585 kg
Form Wt.	5,120 lbs	2,320 kg
Concrete Volume	2.50 CY	1.91 m ³
Aggregate Infill	1.66 CY	1.28 m ³
(per face area)	0.1 tons/sf	1,000 kg/m ²