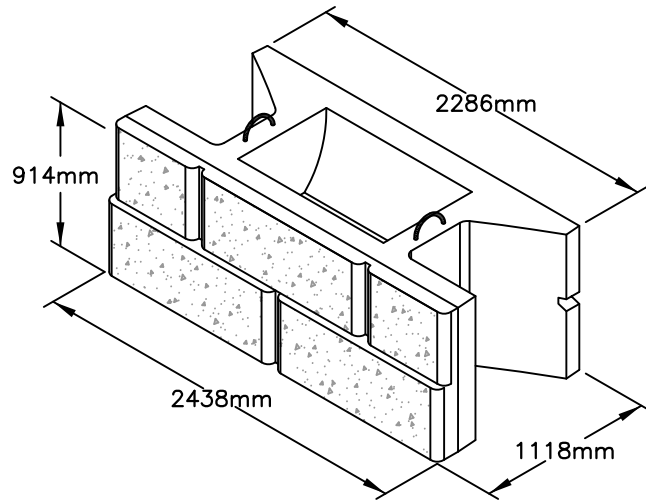


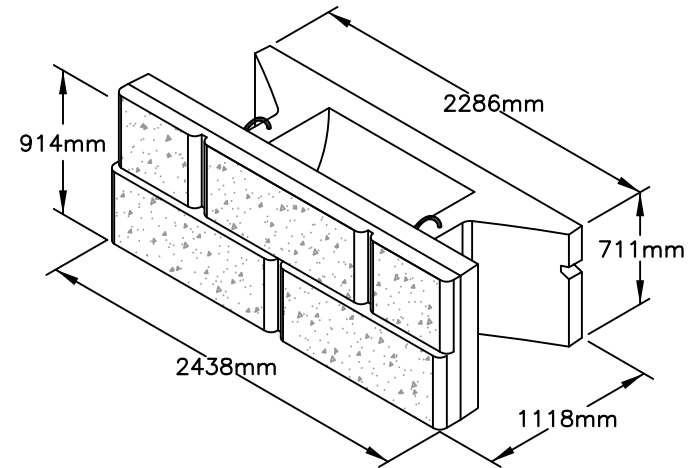
NOTES:

1. SEE TECH MEMO TM-2018-01 FOR BLOCK REINFORCEMENT REQUIREMENTS.
2. 24SF UNITS w/PARAWEB INSERTS MUST BE REINFORCED.
3. VARIOUS FACE TEXTURES ARE AVAILABLE. WHERE MULTIPLE PATTERNS ARE USED WITHIN A TEXTURE, INSTALL PATTERNS RANDOMLY.



STONE STRONG 24SF UNIT
BATTERED FACE

NOT TO SCALE



STONE STRONG 24SF TOP UNIT
BATTERED FACE

NOT TO SCALE

DISCLAIMER:

These typical details are preliminary and conceptual in nature. They are provided for general information purposes only. Anyone making use of these details and related information does so at their own risk and assumes all liability for such use. Site specific design should be performed by a licensed Professional Engineer based on actual site conditions, materials, and local practices.

Stone Strong LLC retains all common law, statutory, and other reserved rights to these drawings including the copyright. Limited license is granted to copy, reproduce, or modify the details to prepare construction drawings for Stone Strong retaining walls. Stone Strong LLC makes no warranties, either expressed or implied, of merchantability or fitness for any particular purpose, and accepts no responsibility for the accuracy, suitability, or completeness of information contained herein.



www.stonestrong.com

PROJECT

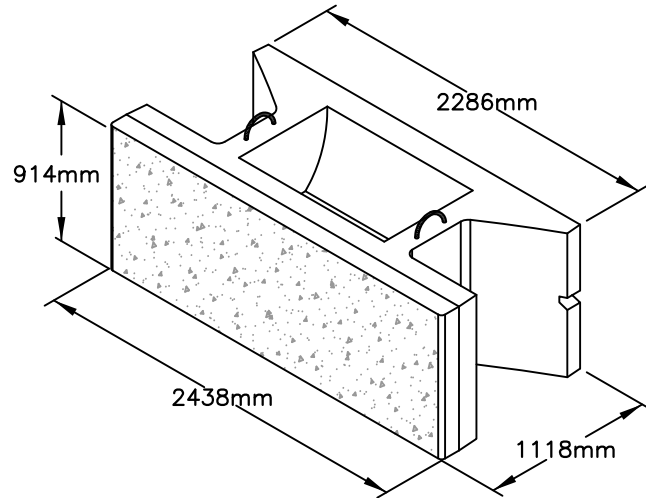
COMPONENTS
STONE STRONG SYSTEMS

DATE: 6/29/18

FILE: 01_Block.24sf.Batt

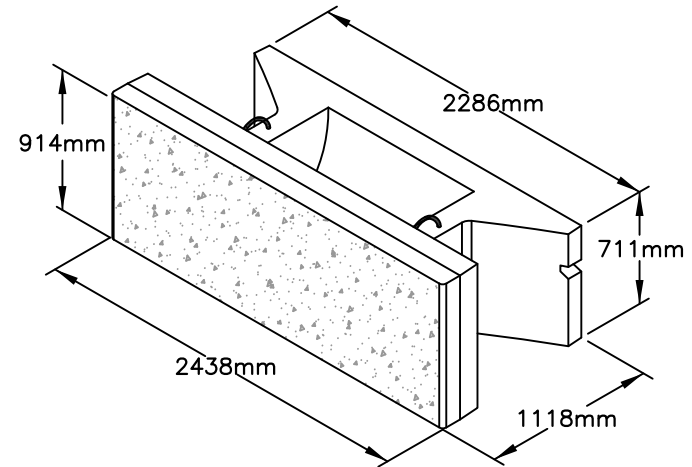
NOTES:

1. SEE TECH MEMO TM-2018-01 FOR BLOCK REINFORCEMENT REQUIREMENTS.
2. VARIOUS FACE TEXTURES ARE AVAILABLE. WHERE MULTIPLE PATTERNS ARE USED WITHIN A TEXTURE, INSTALL PATTERNS RANDOMLY.



STONE STRONG 24SF UNIT
VERTICAL FACE

NOT TO SCALE



STONE STRONG 24SF TOP UNIT
VERTICAL FACE

NOT TO SCALE

DISCLAIMER:

These typical details are preliminary and conceptual in nature. They are provided for general information purposes only. Anyone making use of these details and related information does so at their own risk and assumes all liability for such use. Site specific design should be performed by a licensed Professional Engineer based on actual site conditions, materials, and local practices.

Stone Strong LLC retains all common law, statutory, and other reserved rights to these drawings including the copyright. Limited license is granted to copy, reproduce, or modify the details to prepare construction drawings for Stone Strong retaining walls. Stone Strong LLC makes no warranties, either expressed or implied, of merchantability or fitness for any particular purpose, and accepts no responsibility for the accuracy, suitability, or completeness of information contained herein.

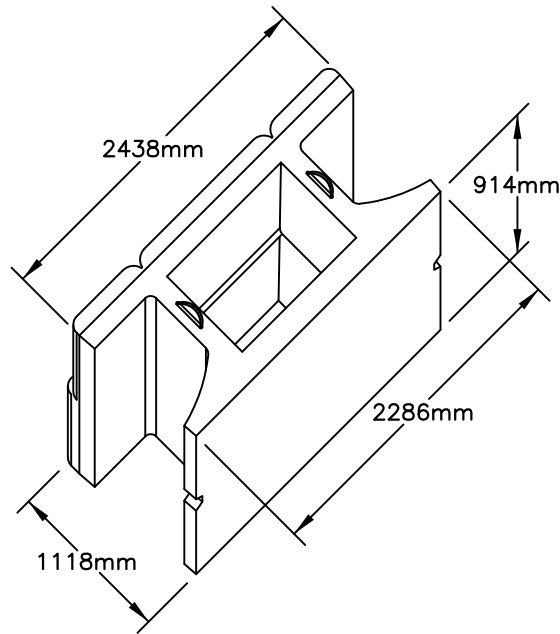


www.stonestrong.com

PROJECT

COMPONENTS
STONE STRONG SYSTEMS

DATE: 6/29/18 | FILE: 02_Block.24sf.Vert



REAR VIEW
STONE STRONG 24SF UNIT
 NOT TO SCALE

DISCLAIMER:

These typical details are preliminary and conceptual in nature. They are provided for general information purposes only. Anyone making use of these details and related information does so at their own risk and assumes all liability for such use. Site specific design should be performed by a licensed Professional Engineer based on actual site conditions, materials, and local practices.

Stone Strong LLC retains all common law, statutory, and other reserved rights to these drawings including the copyright. Limited license is granted to copy, reproduce, or modify the details to prepare construction drawings for Stone Strong retaining walls. Stone Strong LLC makes no warranties, either expressed or implied, of merchantability or fitness for any particular purpose, and accepts no responsibility for the accuracy, suitability, or completeness of information contained herein.



www.stonestrong.com

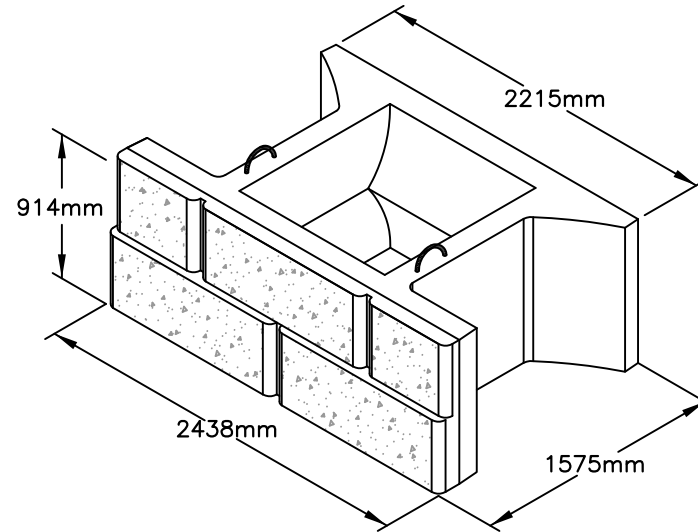
PROJECT

COMPONENTS
 STONE STRONG SYSTEMS

DATE: 6/29/18 | FILE: 03_Block.24sf.Rear

NOTES:

1. SEE TECH MEMO TM-2018-01 FOR BLOCK REINFORCEMENT REQUIREMENTS.



STONE STRONG 24-62 UNIT

NOT TO SCALE

CHECK ON AVAILABILITY OF ALL UNITS w/ LOCAL PRODUCER/ DEALER. SOME UNITS MAY HAVE LIMITED AVAILABILITY.

DISCLAIMER:

These typical details are preliminary and conceptual in nature. They are provided for general information purposes only. Anyone making use of these details and related information does so at their own risk and assumes all liability for such use. Site specific design should be performed by a licensed Professional Engineer based on actual site conditions, materials, and local practices.

Stone Strong LLC retains all common law, statutory, and other reserved rights to these drawings including the copyright. Limited license is granted to copy, reproduce, or modify the details to prepare construction drawings for Stone Strong retaining walls. Stone Strong LLC makes no warranties, either expressed or implied, of merchantability or fitness for any particular purpose, and accepts no responsibility for the accuracy, suitability, or completeness of information contained herein.



www.stonestrong.com

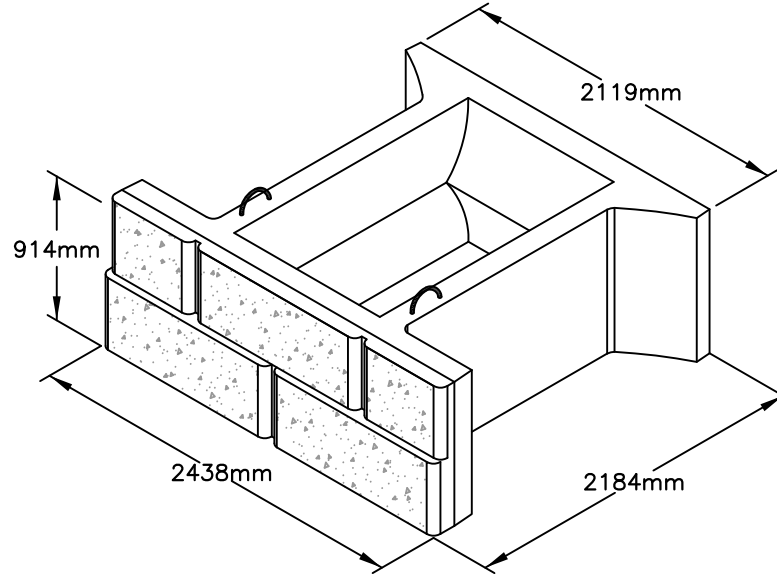
PROJECT

COMPONENTS
STONE STRONG SYSTEMS

DATE: 6/29/18 | FILE: 04_Block.24-62

NOTES:

1. SEE TECH MEMO TM-2018-01 FOR BLOCK REINFORCEMENT REQUIREMENTS.



STONE STRONG 24-86 UNIT

NOT TO SCALE

CHECK ON AVAILABILITY OF ALL UNITS w/ LOCAL PRODUCER/ DEALER. SOME UNITS MAY HAVE LIMITED AVAILABILITY.

DISCLAIMER:

These typical details are preliminary and conceptual in nature. They are provided for general information purposes only. Anyone making use of these details and related information does so at their own risk and assumes all liability for such use. Site specific design should be performed by a licensed Professional Engineer based on actual site conditions, materials, and local practices.

Stone Strong LLC retains all common law, statutory, and other reserved rights to these drawings including the copyright. Limited license is granted to copy, reproduce, or modify the details to prepare construction drawings for Stone Strong retaining walls. Stone Strong LLC makes no warranties, either expressed or implied, of merchantability or fitness for any particular purpose, and accepts no responsibility for the accuracy, suitability, or completeness of information contained herein.



www.stonestrong.com

PROJECT

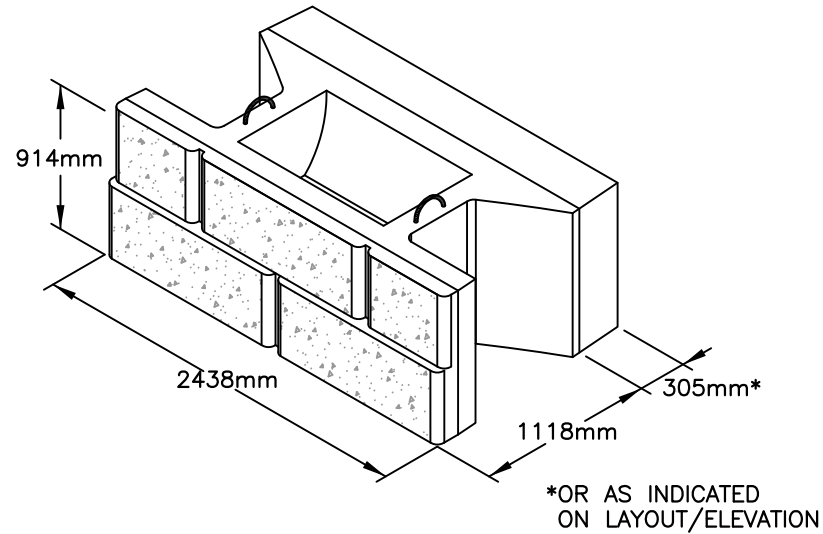
COMPONENTS
STONE STRONG SYSTEMS

DATE: 6/29/18

FILE: 05_Block.24-86

NOTES:

1. SEE TECH MEMO TM-2018-01 FOR BLOCK REINFORCEMENT REQUIREMENTS.



STONE STRONG 24SF UNIT w/MASS EXTENDER
NOT TO SCALE

CHECK ON AVAILABILITY OF ALL UNITS w/ LOCAL PRODUCER/ DEALER. SOME UNITS MAY HAVE LIMITED AVAILABILITY.

DISCLAIMER:

These typical details are preliminary and conceptual in nature. They are provided for general information purposes only. Anyone making use of these details and related information does so at their own risk and assumes all liability for such use. Site specific design should be performed by a licensed Professional Engineer based on actual site conditions, materials, and local practices.

Stone Strong LLC retains all common law, statutory, and other reserved rights to these drawings including the copyright. Limited license is granted to copy, reproduce, or modify the details to prepare construction drawings for Stone Strong retaining walls. Stone Strong LLC makes no warranties, either expressed or implied, of merchantability or fitness for any particular purpose, and accepts no responsibility for the accuracy, suitability, or completeness of information contained herein.



www.stonestrong.com

PROJECT

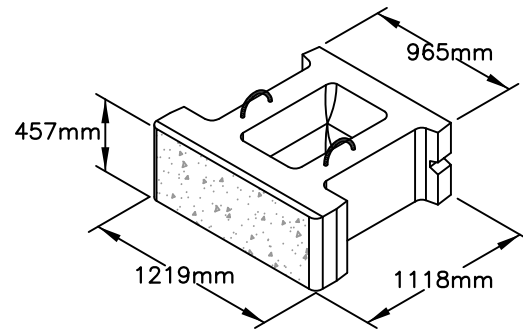
COMPONENTS
STONE STRONG SYSTEMS

DATE: 6/29/18

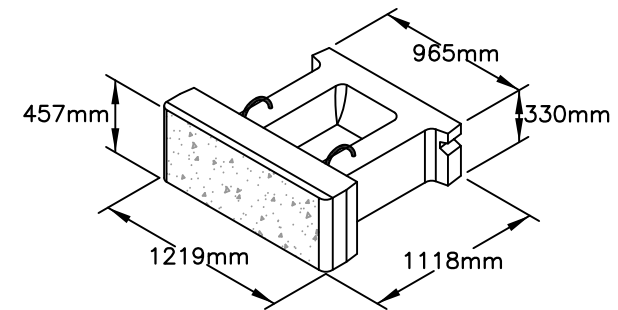
FILE: 06_Block.24sf.MassExt

NOTES:

1. SEE TECH MEMO TM-2018-01 FOR BLOCK REINFORCEMENT REQUIREMENTS.
2. 6SF UNITS w/PARAWEB INSERTS MUST BE REINFORCED.



STONE STRONG 6SF UNIT
NOT TO SCALE



STONE STRONG 6SF TOP UNIT
NOT TO SCALE

DISCLAIMER:

These typical details are preliminary and conceptual in nature. They are provided for general information purposes only. Anyone making use of these details and related information does so at their own risk and assumes all liability for such use. Site specific design should be performed by a licensed Professional Engineer based on actual site conditions, materials, and local practices.

Stone Strong LLC retains all common law, statutory, and other reserved rights to these drawings including the copyright. Limited license is granted to copy, reproduce, or modify the details to prepare construction drawings for Stone Strong retaining walls. Stone Strong LLC makes no warranties, either expressed or implied, of merchantability or fitness for any particular purpose, and accepts no responsibility for the accuracy, suitability, or completeness of information contained herein.

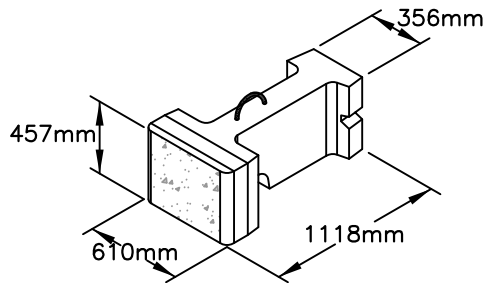


www.stonestrong.com

PROJECT

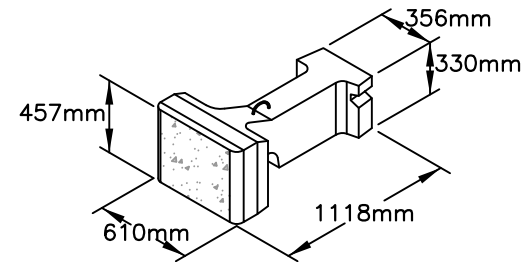
COMPONENTS
STONE STRONG SYSTEMS

DATE: 6/29/18 | FILE: 07_Block.6sf



STONE STRONG 3SF UNIT

NOT TO SCALE



STONE STRONG 3SF TOP UNIT

NOT TO SCALE

DISCLAIMER:

These typical details are preliminary and conceptual in nature. They are provided for general information purposes only. Anyone making use of these details and related information does so at their own risk and assumes all liability for such use. Site specific design should be performed by a licensed Professional Engineer based on actual site conditions, materials, and local practices.

Stone Strong LLC retains all common law, statutory, and other reserved rights to these drawings including the copyright. Limited license is granted to copy, reproduce, or modify the details to prepare construction drawings for Stone Strong retaining walls. Stone Strong LLC makes no warranties, either expressed or implied, of merchantability or fitness for any particular purpose, and accepts no responsibility for the accuracy, suitability, or completeness of information contained herein.



www.stonestrong.com

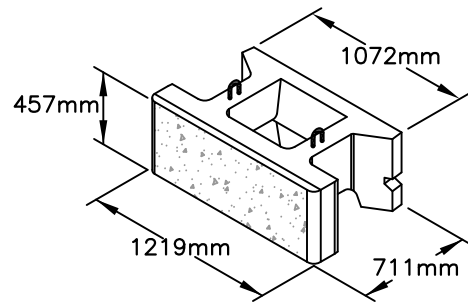
PROJECT

COMPONENTS
STONE STRONG SYSTEMS

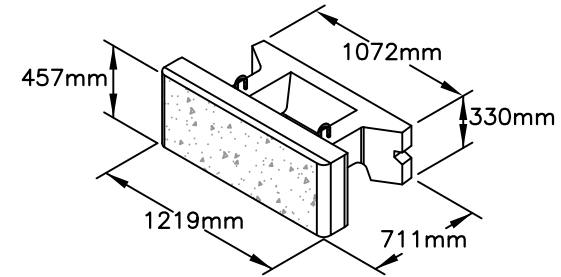
DATE: 6/29/18 | FILE: 08_Block.3sf

NOTES:

1. SEE TECH MEMO TM-2018-01 FOR BLOCK REINFORCEMENT REQUIREMENTS.
2. 6-28 UNITS w/PARAWEB INSERTS MUST BE REINFORCED.



STONE STRONG 6-28 UNIT
NOT TO SCALE



STONE STRONG 6-28 TOP UNIT
NOT TO SCALE

CHECK ON AVAILABILITY OF ALL UNITS w/ LOCAL PRODUCER/
DEALER. SOME UNITS MAY HAVE LIMITED AVAILABILITY.

DISCLAIMER:

These typical details are preliminary and conceptual in nature. They are provided for general information purposes only. Anyone making use of these details and related information does so at their own risk and assumes all liability for such use. Site specific design should be performed by a licensed Professional Engineer based on actual site conditions, materials, and local practices.

Stone Strong LLC retains all common law, statutory, and other reserved rights to these drawings including the copyright. Limited license is granted to copy, reproduce, or modify the details to prepare construction drawings for Stone Strong retaining walls. Stone Strong LLC makes no warranties, either expressed or implied, of merchantability or fitness for any particular purpose, and accepts no responsibility for the accuracy, suitability, or completeness of information contained herein.



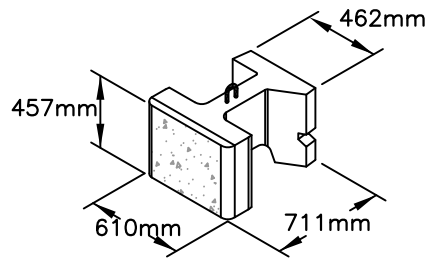
www.stonestrong.com

PROJECT

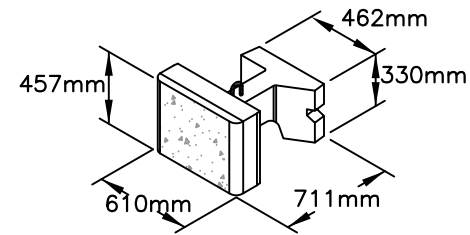
COMPONENTS
STONE STRONG SYSTEMS

DATE: 6/29/18

FILE: 09_Block.6-28



STONE STRONG
3-28 UNIT
 NOT TO SCALE



STONE STRONG
3-28 TOP UNIT
 NOT TO SCALE

CHECK ON AVAILABILITY OF ALL UNITS w/ LOCAL PRODUCER/
 DEALER. SOME UNITS MAY HAVE LIMITED AVAILABILITY.

DISCLAIMER:

These typical details are preliminary and conceptual in nature. They are provided for general information purposes only. Anyone making use of these details and related information does so at their own risk and assumes all liability for such use. Site specific design should be performed by a licensed Professional Engineer based on actual site conditions, materials, and local practices.

Stone Strong LLC retains all common law, statutory, and other reserved rights to these drawings including the copyright. Limited license is granted to copy, reproduce, or modify the details to prepare construction drawings for Stone Strong retaining walls. Stone Strong LLC makes no warranties, either expressed or implied, of merchantability or fitness for any particular purpose, and accepts no responsibility for the accuracy, suitability, or completeness of information contained herein.



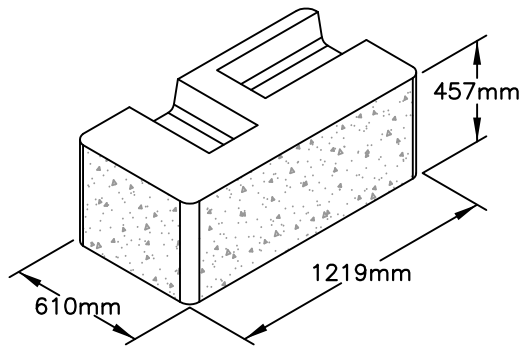
www.stonestrong.com

PROJECT

COMPONENTS
 STONE STRONG SYSTEMS

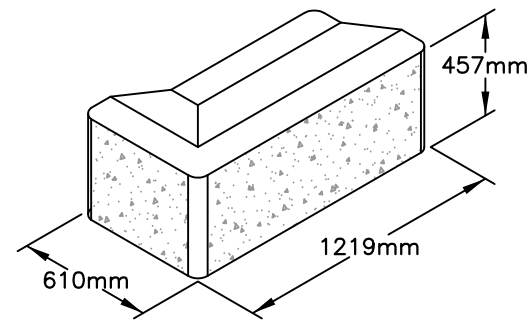
DATE: 6/29/18

FILE: 10_Block.3-28



STONE STRONG CORNER UNIT

NOT TO SCALE



STONE STRONG END UNIT

NOT TO SCALE

DISCLAIMER:

These typical details are preliminary and conceptual in nature. They are provided for general information purposes only. Anyone making use of these details and related information does so at their own risk and assumes all liability for such use. Site specific design should be performed by a licensed Professional Engineer based on actual site conditions, materials, and local practices.

Stone Strong LLC retains all common law, statutory, and other reserved rights to these drawings including the copyright. Limited license is granted to copy, reproduce, or modify the details to prepare construction drawings for Stone Strong retaining walls. Stone Strong LLC makes no warranties, either expressed or implied, of merchantability or fitness for any particular purpose, and accepts no responsibility for the accuracy, suitability, or completeness of information contained herein.



www.stonestrong.com

PROJECT

COMPONENTS
STONE STRONG SYSTEMS

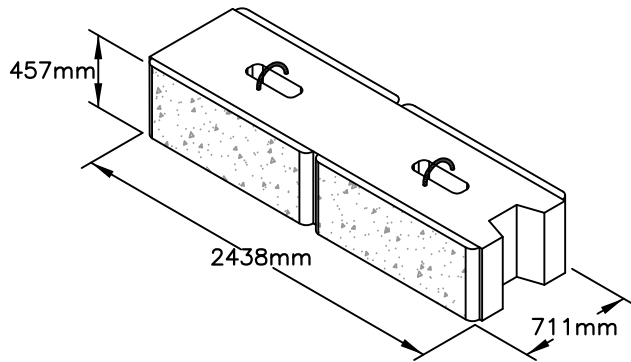
DATE: 6/29/18 | FILE: 11_Block.End.Corner

NOTE:

ENDS MAY BE MITERED FOR INSTALLATION ON A RADIUS. UNITS MAY BE CUT OR FORMED AS NEEDED IN LENGTHS BETWEEN 0.61m AND 2.44m.

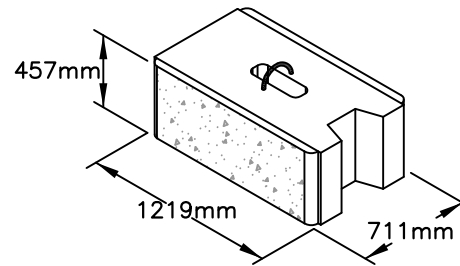
OPTIONAL:

BACKER RODS, GROUT OR MASTIC MAY BE USED BETWEEN COURSES.



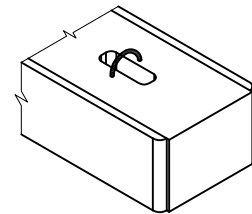
STONE STRONG
DUAL FACE UNIT

NOT TO SCALE



STONE STRONG
DUAL FACE HALF UNIT

NOT TO SCALE



ALTERNATE
FINISHED END

NOT TO SCALE

CHECK ON AVAILABILITY OF ALL UNITS w/ LOCAL PRODUCER/
DEALER. SOME UNITS MAY HAVE LIMITED AVAILABILITY.

DISCLAIMER:

These typical details are preliminary and conceptual in nature. They are provided for general information purposes only. Anyone making use of these details and related information does so at their own risk and assumes all liability for such use. Site specific design should be performed by a licensed Professional Engineer based on actual site conditions, materials, and local practices.

Stone Strong LLC retains all common law, statutory, and other reserved rights to these drawings including the copyright. Limited license is granted to copy, reproduce, or modify the details to prepare construction drawings for Stone Strong retaining walls. Stone Strong LLC makes no warranties, either expressed or implied, of merchantability or fitness for any particular purpose, and accepts no responsibility for the accuracy, suitability, or completeness of information contained herein.



www.stonestrong.com

PROJECT

COMPONENTS
STONE STRONG SYSTEMS

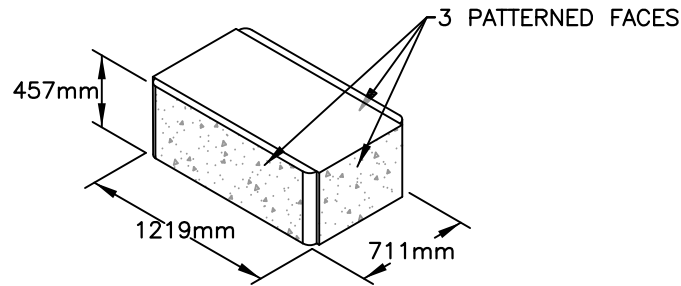
DATE: 6/29/18

FILE: 12_Block.DualFace

NOTE:

OPTIONAL:

BACKER RODS, GROUT OR MASTIC MAY BE USED BETWEEN COURSES.



STONE STRONG
DUAL FACE END UNIT

NOT TO SCALE

CHECK ON AVAILABILITY OF ALL UNITS w/ LOCAL PRODUCER/ DEALER. SOME UNITS MAY HAVE LIMITED AVAILABILITY.

DISCLAIMER:

These typical details are preliminary and conceptual in nature. They are provided for general information purposes only. Anyone making use of these details and related information does so at their own risk and assumes all liability for such use. Site specific design should be performed by a licensed Professional Engineer based on actual site conditions, materials, and local practices.

Stone Strong LLC retains all common law, statutory, and other reserved rights to these drawings including the copyright. Limited license is granted to copy, reproduce, or modify the details to prepare construction drawings for Stone Strong retaining walls. Stone Strong LLC makes no warranties, either expressed or implied, of merchantability or fitness for any particular purpose, and accepts no responsibility for the accuracy, suitability, or completeness of information contained herein.



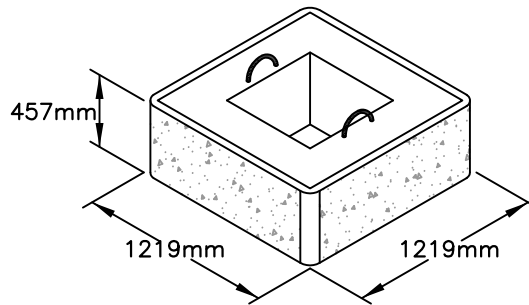
www.stonestrong.com

PROJECT

COMPONENTS
STONE STRONG SYSTEMS

DATE: 6/29/18

FILE: 13_Block.Dual Face End



STONE STRONG 90° CORNER UNIT

NOT TO SCALE

CHECK ON AVAILABILITY OF ALL UNITS w/ LOCAL PRODUCER/
DEALER. SOME UNITS MAY HAVE LIMITED AVAILABILITY.

DISCLAIMER:

These typical details are preliminary and conceptual in nature. They are provided for general information purposes only. Anyone making use of these details and related information does so at their own risk and assumes all liability for such use. Site specific design should be performed by a licensed Professional Engineer based on actual site conditions, materials, and local practices.

Stone Strong LLC retains all common law, statutory, and other reserved rights to these drawings including the copyright. Limited license is granted to copy, reproduce, or modify the details to prepare construction drawings for Stone Strong retaining walls. Stone Strong LLC makes no warranties, either expressed or implied, of merchantability or fitness for any particular purpose, and accepts no responsibility for the accuracy, suitability, or completeness of information contained herein.



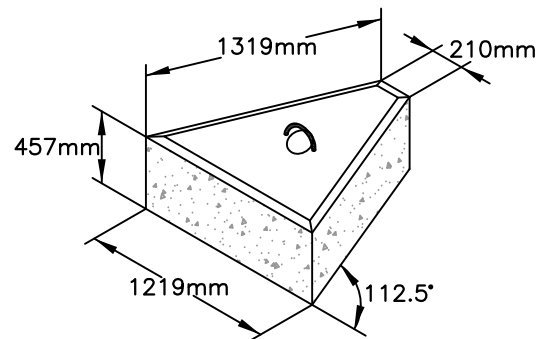
www.stonestrong.com

PROJECT

COMPONENTS
STONE STRONG SYSTEMS

DATE: 6/29/19

FILE: 14_Block.90Corner



STONE STRONG 45° CORNER UNIT

NOT TO SCALE

CHECK ON AVAILABILITY OF ALL UNITS w/ LOCAL PRODUCER/
DEALER. SOME UNITS MAY HAVE LIMITED AVAILABILITY.

DISCLAIMER:

These typical details are preliminary and conceptual in nature. They are provided for general information purposes only. Anyone making use of these details and related information does so at their own risk and assumes all liability for such use. Site specific design should be performed by a licensed Professional Engineer based on actual site conditions, materials, and local practices.

Stone Strong LLC retains all common law, statutory, and other reserved rights to these drawings including the copyright. Limited license is granted to copy, reproduce, or modify the details to prepare construction drawings for Stone Strong retaining walls. Stone Strong LLC makes no warranties, either expressed or implied, of merchantability or fitness for any particular purpose, and accepts no responsibility for the accuracy, suitability, or completeness of information contained herein.



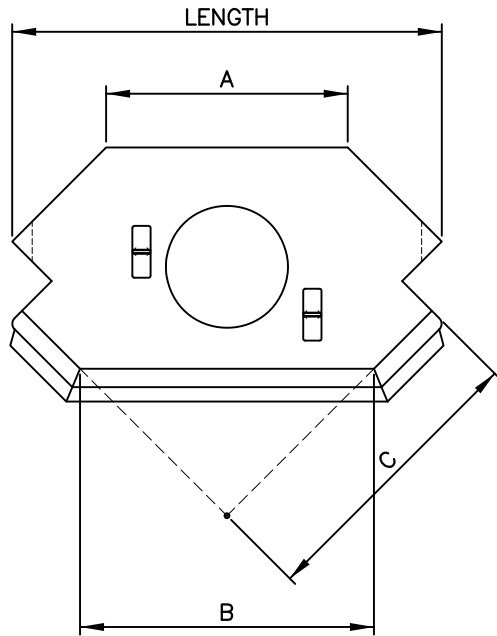
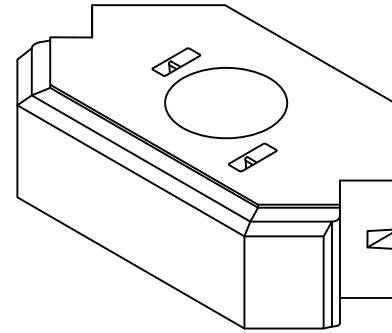
www.stonestrong.com

PROJECT

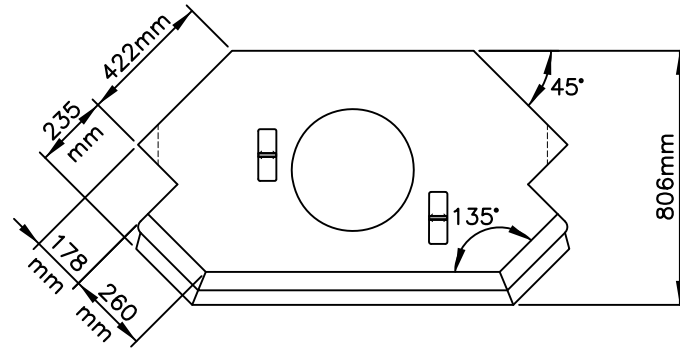
COMPONENTS
STONE STRONG SYSTEMS

DATE: 6/29/18 | FILE: 15_Block.45Corner

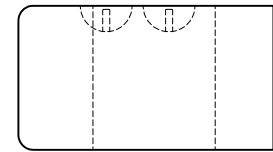
BLOCK NUMBER	LENGTH	A	B	C	WEIGHT (kg.)
01	1652mm	1054mm	1221mm	1118mm	1180
02	1508mm	910mm	1077mm	1016mm	1060
03	1364mm	767mm	933mm	914mm	930
04	1221mm	623mm	790mm	813mm	800
05	1077mm	479mm	646mm	711mm	680
06	933mm	336mm	502mm	610mm	560



PLAN VIEW
VARIABLE DIMENSIONS



PLAN VIEW
FIXED DIMENSIONS



END VIEW

STONE STRONG OUTSIDE CORNER UNIT

NOT TO SCALE

DISCLAIMER:

These typical details are preliminary and conceptual in nature. They are provided for general information purposes only. Anyone making use of these details and related information does so at their own risk and assumes all liability for such use. Site specific design should be performed by a licensed Professional Engineer based on actual site conditions, materials, and local practices.

Stone Strong LLC retains all common law, statutory, and other reserved rights to these drawings including the copyright. Limited license is granted to copy, reproduce, or modify the details to prepare construction drawings for Stone Strong retaining walls. Stone Strong LLC makes no warranties, either expressed or implied, of merchantability or fitness for any particular purpose, and accepts no responsibility for the accuracy, suitability, or completeness of information contained herein.

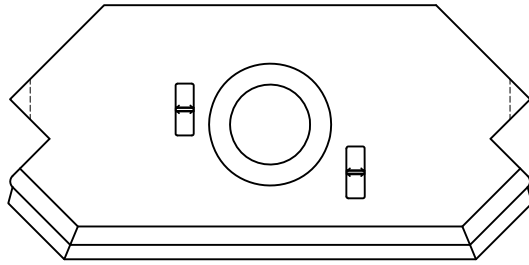


www.stonestrong.com

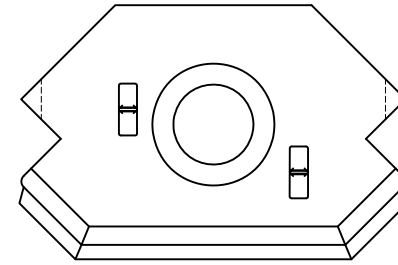
PROJECT

COMPONENTS
STONE STRONG SYSTEMS

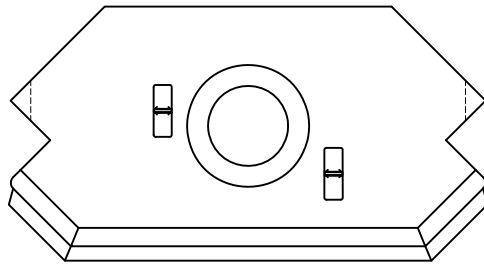
DATE: 6/29/18 | FILE: 16_Outside Corner Block



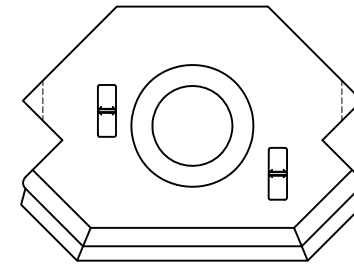
BLOCK NUMBER 01



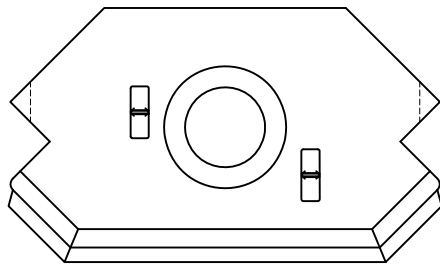
BLOCK NUMBER 04



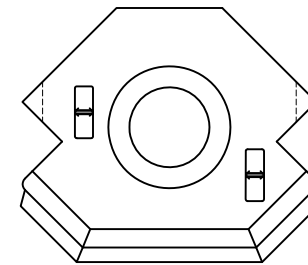
BLOCK NUMBER 02



BLOCK NUMBER 05



BLOCK NUMBER 03



BLOCK NUMBER 06

STONE STRONG OUTSIDE CORNER UNITS

NOT TO SCALE

DISCLAIMER:

These typical details are preliminary and conceptual in nature. They are provided for general information purposes only. Anyone making use of these details and related information does so at their own risk and assumes all liability for such use. Site specific design should be performed by a licensed Professional Engineer based on actual site conditions, materials, and local practices.

Stone Strong LLC retains all common law, statutory, and other reserved rights to these drawings including the copyright. Limited license is granted to copy, reproduce, or modify the details to prepare construction drawings for Stone Strong retaining walls. Stone Strong LLC makes no warranties, either expressed or implied, of merchantability or fitness for any particular purpose, and accepts no responsibility for the accuracy, suitability, or completeness of information contained herein.



www.stonestrong.com

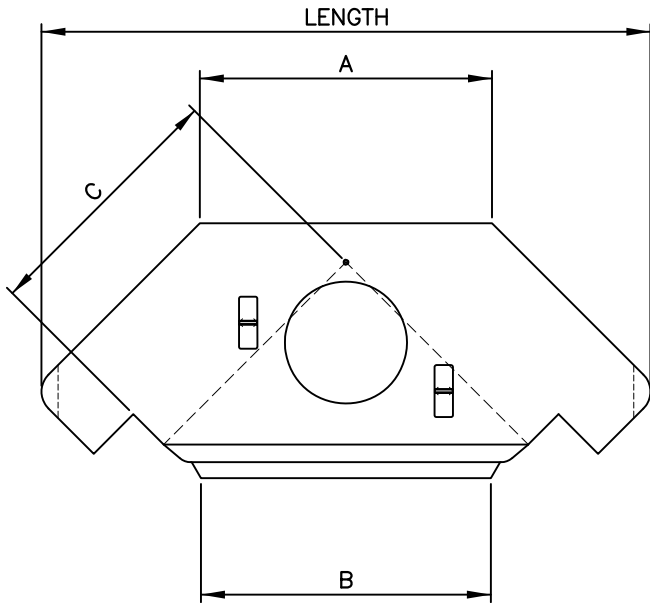
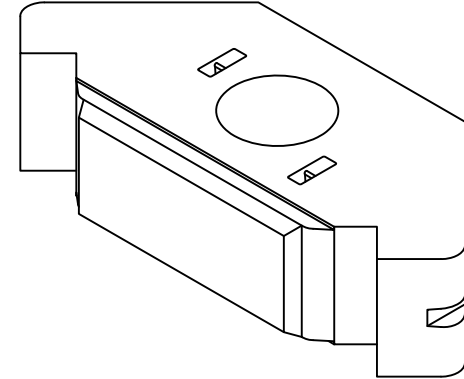
PROJECT

COMPONENTS
STONE STRONG SYSTEMS

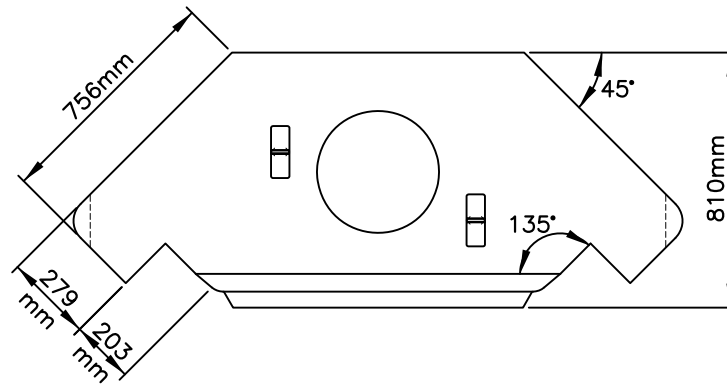
DATE: 6/29/18

FILE: 17_Corner Units.Outside

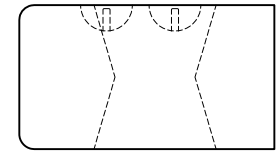
BLOCK NUMBER	LENGTH	A	B	C	WEIGHT (kg.)
11	2365mm	1359mm	1352mm	991mm	1570
12	2221mm	1215mm	1208mm	889mm	1440
13	2077mm	1072mm	1064mm	787mm	1320
14	1934mm	928mm	921mm	686mm	1190
15	1790mm	784mm	777mm	584mm	1070
16	1646mm	641mm	633mm	483mm	940



PLAN VIEW
VARIABLE DIMENSIONS



PLAN VIEW
FIXED DIMENSIONS



END VIEW

STONE STRONG INSIDE CORNER UNIT

NOT TO SCALE

DISCLAIMER:

These typical details are preliminary and conceptual in nature. They are provided for general information purposes only. Anyone making use of these details and related information does so at their own risk and assumes all liability for such use. Site specific design should be performed by a licensed Professional Engineer based on actual site conditions, materials, and local practices.

Stone Strong LLC retains all common law, statutory, and other reserved rights to these drawings including the copyright. Limited license is granted to copy, reproduce, or modify the details to prepare construction drawings for Stone Strong retaining walls. Stone Strong LLC makes no warranties, either expressed or implied, of merchantability or fitness for any particular purpose, and accepts no responsibility for the accuracy, suitability, or completeness of information contained herein.



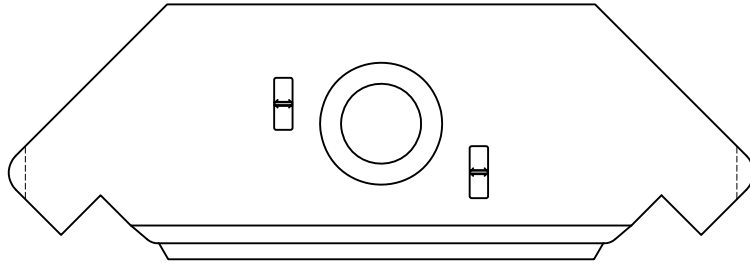
www.stonestrong.com

PROJECT

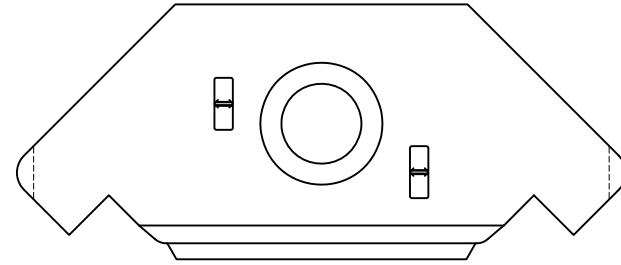
COMPONENTS
STONE STRONG SYSTEMS

DATE: 6/29/18

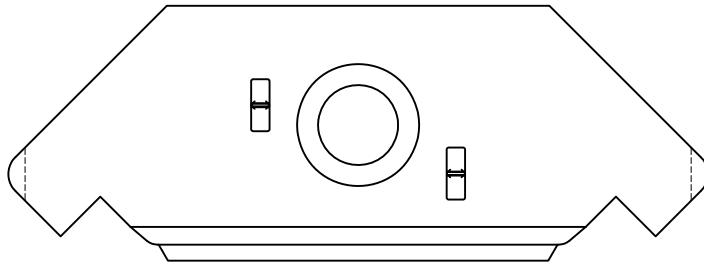
FILE: 18_Inside Corner Block



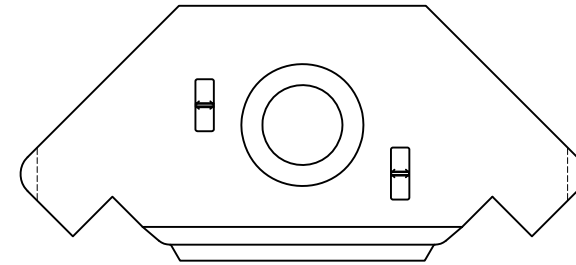
BLOCK NUMBER 11



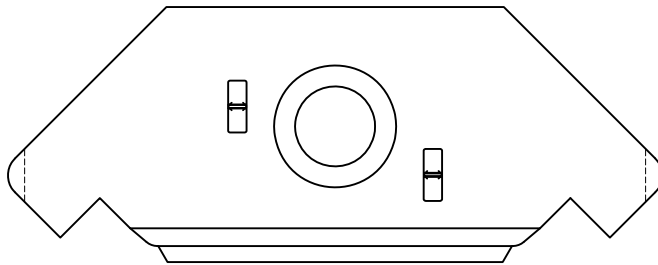
BLOCK NUMBER 14



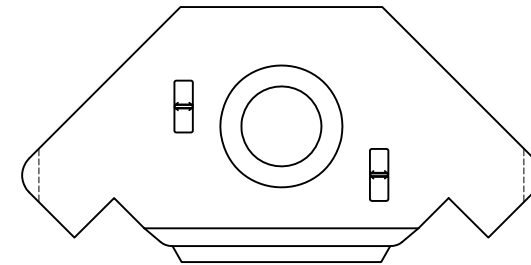
BLOCK NUMBER 12



BLOCK NUMBER 15



BLOCK NUMBER 13



BLOCK NUMBER 16

STONE STRONG INSIDE CORNER UNITS

NOT TO SCALE

DISCLAIMER:

These typical details are preliminary and conceptual in nature. They are provided for general information purposes only. Anyone making use of these details and related information does so at their own risk and assumes all liability for such use. Site specific design should be performed by a licensed Professional Engineer based on actual site conditions, materials, and local practices.

Stone Strong LLC retains all common law, statutory, and other reserved rights to these drawings including the copyright. Limited license is granted to copy, reproduce, or modify the details to prepare construction drawings for Stone Strong retaining walls. Stone Strong LLC makes no warranties, either expressed or implied, of merchantability or fitness for any particular purpose, and accepts no responsibility for the accuracy, suitability, or completeness of information contained herein.



www.stonestrong.com

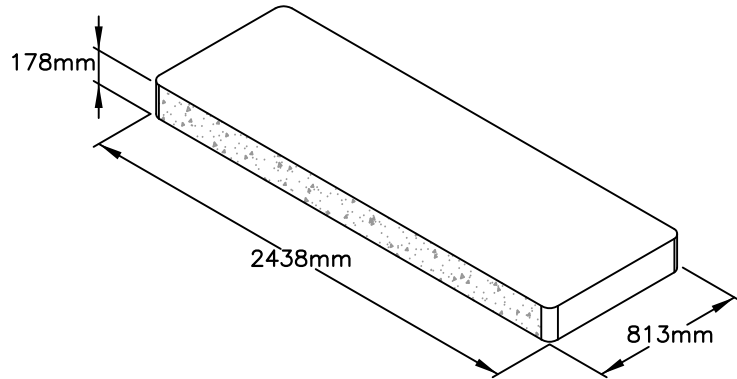
PROJECT

COMPONENTS
STONE STRONG SYSTEMS

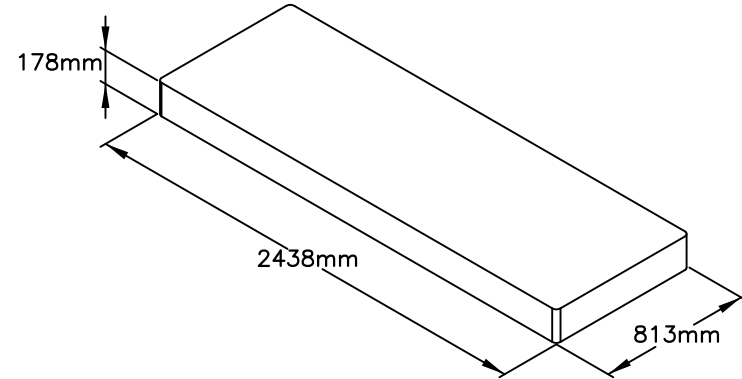
DATE: 6/29/18

FILE: 19_Corner Units.Inside

NOTE:
 ENDS MAY BE MITERED FOR INSTALLATION ON A RADIUS. UNITS MAY BE CUT OR FORMED AS NEEDED IN LENGTHS BETWEEN 0.61m AND 2.44m.



CAP-STEP BLOCK
 NOT TO SCALE



FLAT CAP-STEP BLOCK
 NOT TO SCALE

DISCLAIMER:

These typical details are preliminary and conceptual in nature. They are provided for general information purposes only. Anyone making use of these details and related information does so at their own risk and assumes all liability for such use. Site specific design should be performed by a licensed Professional Engineer based on actual site conditions, materials, and local practices.

Stone Strong LLC retains all common law, statutory, and other reserved rights to these drawings including the copyright. Limited license is granted to copy, reproduce, or modify the details to prepare construction drawings for Stone Strong retaining walls. Stone Strong LLC makes no warranties, either expressed or implied, of merchantability or fitness for any particular purpose, and accepts no responsibility for the accuracy, suitability, or completeness of information contained herein.

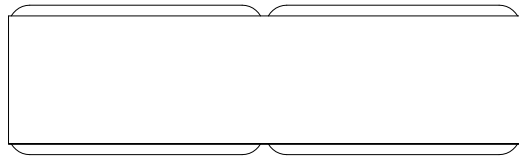


www.stonestrong.com

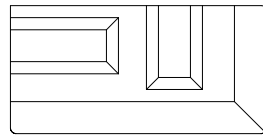
PROJECT

COMPONENTS
 STONE STRONG SYSTEMS

DATE: 6/29/18 | FILE: 20_Block.Cap



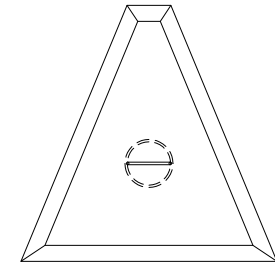
DUAL FACE UNIT



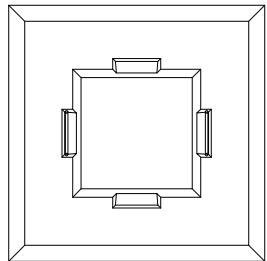
CORNER UNIT



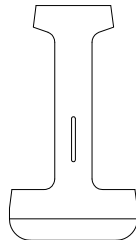
END UNIT



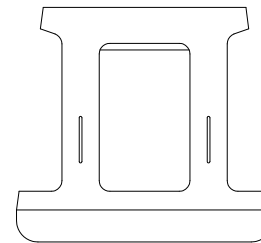
45° CORNER UNIT



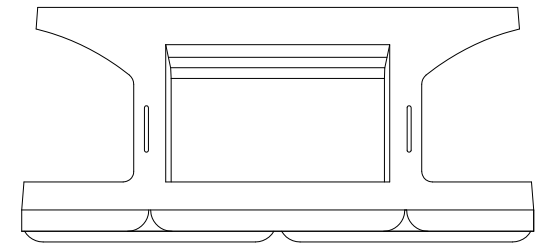
90° CORNER UNIT



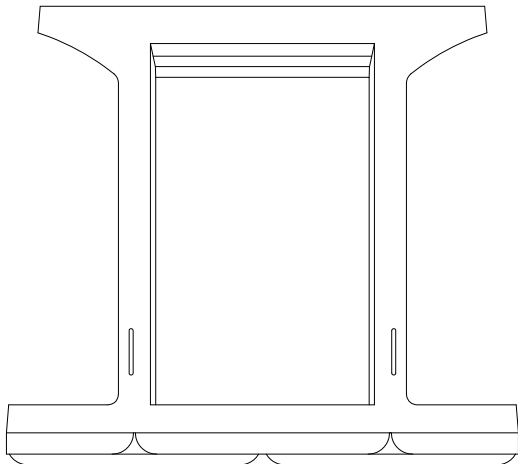
3SF UNIT



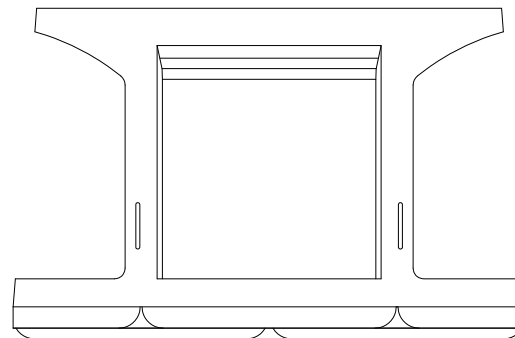
6SF UNIT



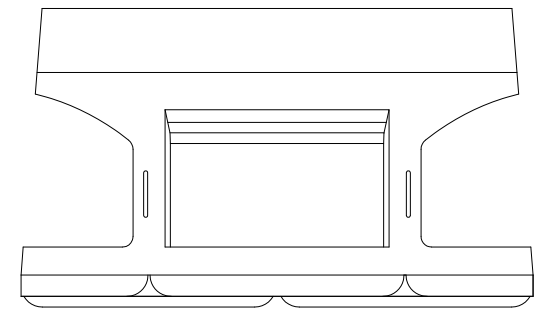
24SF UNIT



24-86 UNIT



24-62 UNIT



24SF MASS EXTENDER UNIT

STANDARD LAYOUT ELEMENTS

DISCLAIMER:

These typical details are preliminary and conceptual in nature. They are provided for general information purposes only. Anyone making use of these details and related information does so at their own risk and assumes all liability for such use. Site specific design should be performed by a licensed Professional Engineer based on actual site conditions, materials, and local practices.

Stone Strong LLC retains all common law, statutory, and other reserved rights to these drawings including the copyright. Limited license is granted to copy, reproduce, or modify the details to prepare construction drawings for Stone Strong retaining walls. Stone Strong LLC makes no warranties, either expressed or implied, of merchantability or fitness for any particular purpose, and accepts no responsibility for the accuracy, suitability, or completeness of information contained herein.



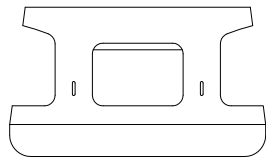
www.stonestrong.com

PROJECT

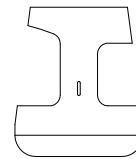
COMPONENTS
STONE STRONG SYSTEMS

DATE: 6/29/18

FILE: 21_UnitPlanView



6-28 UNIT



3-28 UNIT

STANDARD LAYOUT ELEMENTS

DISCLAIMER:

These typical details are preliminary and conceptual in nature. They are provided for general information purposes only. Anyone making use of these details and related information does so at their own risk and assumes all liability for such use. Site specific design should be performed by a licensed Professional Engineer based on actual site conditions, materials, and local practices.

Stone Strong LLC retains all common law, statutory, and other reserved rights to these drawings including the copyright. Limited license is granted to copy, reproduce, or modify the details to prepare construction drawings for Stone Strong retaining walls. Stone Strong LLC makes no warranties, either expressed or implied, of merchantability or fitness for any particular purpose, and accepts no responsibility for the accuracy, suitability, or completeness of information contained herein.



www.stonestrong.com

PROJECT

COMPONENTS
STONE STRONG SYSTEMS

DATE: 6/29/18

FILE: 22_UnitPlanView-2