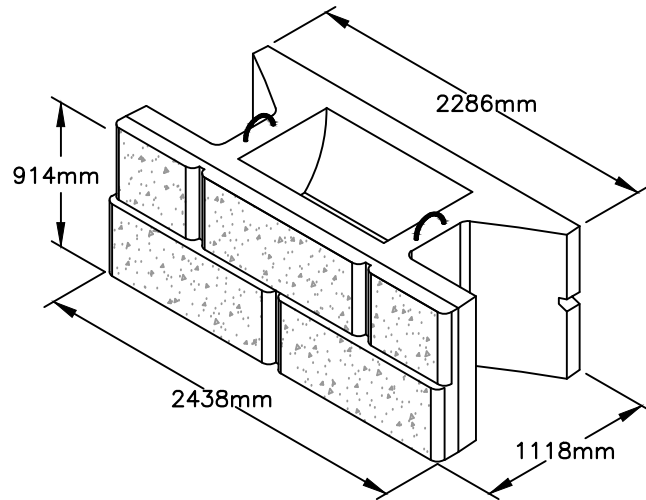


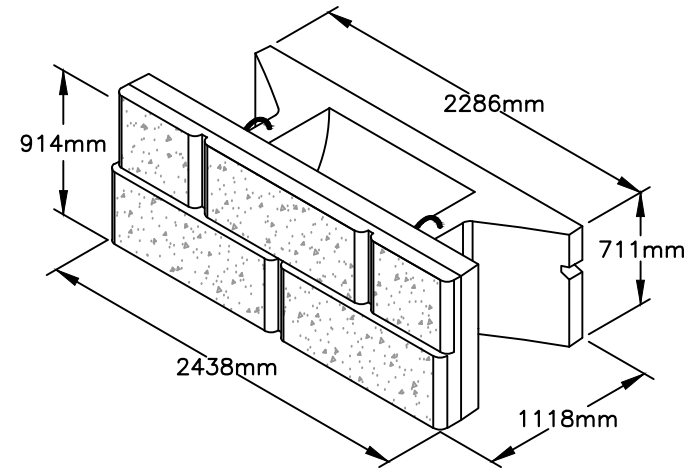
**NOTES:**

1. SEE TECH MEMO TM-2018-01 FOR BLOCK REINFORCEMENT REQUIREMENTS.
2. 24-44 UNITS w/PARAWEB INSERTS MUST BE REINFORCED.
3. VARIOUS FACE TEXTURES ARE AVAILABLE. WHERE MULTIPLE PATTERNS ARE USED WITHIN A TEXTURE, INSTALL PATTERNS RANDOMLY.



**STONE STRONG 24-44 UNIT**  
**BATTERED FACE**

NOT TO SCALE



**STONE STRONG 24-44 TOP UNIT**  
**BATTERED FACE**

NOT TO SCALE

**DISCLAIMER:**

These typical details are preliminary and conceptual in nature. They are provided for general information purposes only. Anyone making use of these details and related information does so at their own risk and assumes all liability for such use. Site specific design should be performed by a licensed Professional Engineer based on actual site conditions, materials, and local practices.

Stone Strong LLC retains all common law, statutory, and other reserved rights to these drawings including the copyright. Limited license is granted to copy, reproduce, or modify the details to prepare construction drawings for Stone Strong retaining walls. Stone Strong LLC makes no warranties, either expressed or implied, of merchantability or fitness for any particular purpose, and accepts no responsibility for the accuracy, suitability, or completeness of information contained herein.



[www.stonestrong.com](http://www.stonestrong.com)

PROJECT

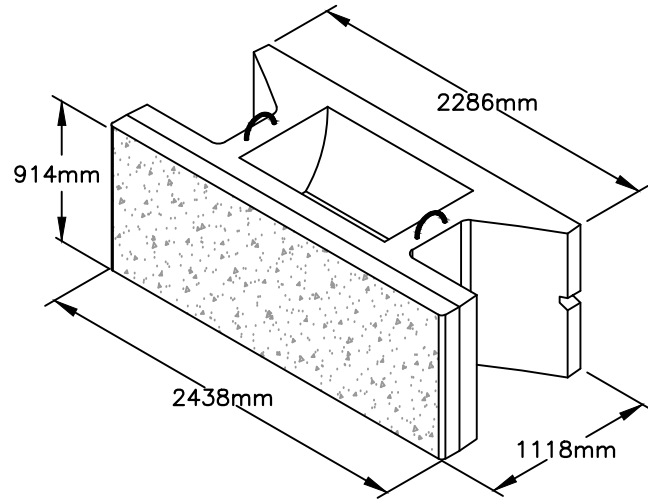
COMPONENTS  
STONE STRONG SYSTEMS

DATE: 4/18/23

FILE: 01\_Block.24-44.Batt

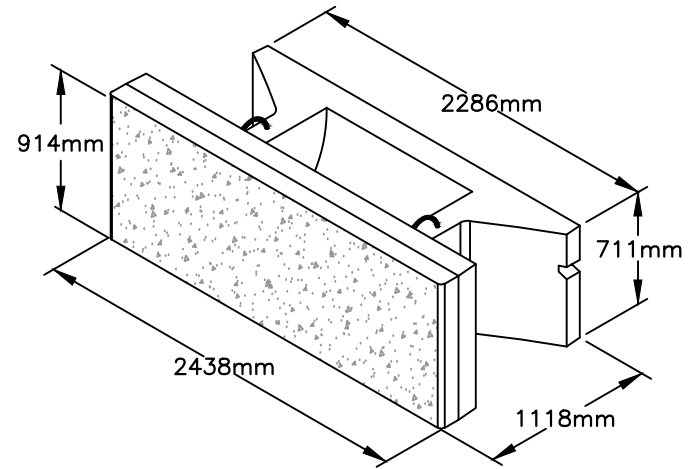
**NOTES:**

1. SEE TECH MEMO TM-2018-01 FOR BLOCK REINFORCEMENT REQUIREMENTS.
2. VARIOUS FACE TEXTURES ARE AVAILABLE. WHERE MULTIPLE PATTERNS ARE USED WITHIN A TEXTURE, INSTALL PATTERNS RANDOMLY.



**STONE STRONG 24-44 UNIT**  
**VERTICAL FACE**

NOT TO SCALE



**STONE STRONG 24-44 TOP UNIT**  
**VERTICAL FACE**

NOT TO SCALE

**DISCLAIMER:**

These typical details are preliminary and conceptual in nature. They are provided for general information purposes only. Anyone making use of these details and related information does so at their own risk and assumes all liability for such use. Site specific design should be performed by a licensed Professional Engineer based on actual site conditions, materials, and local practices.

Stone Strong LLC retains all common law, statutory, and other reserved rights to these drawings including the copyright. Limited license is granted to copy, reproduce, or modify the details to prepare construction drawings for Stone Strong retaining walls. Stone Strong LLC makes no warranties, either expressed or implied, of merchantability or fitness for any particular purpose, and accepts no responsibility for the accuracy, suitability, or completeness of information contained herein.

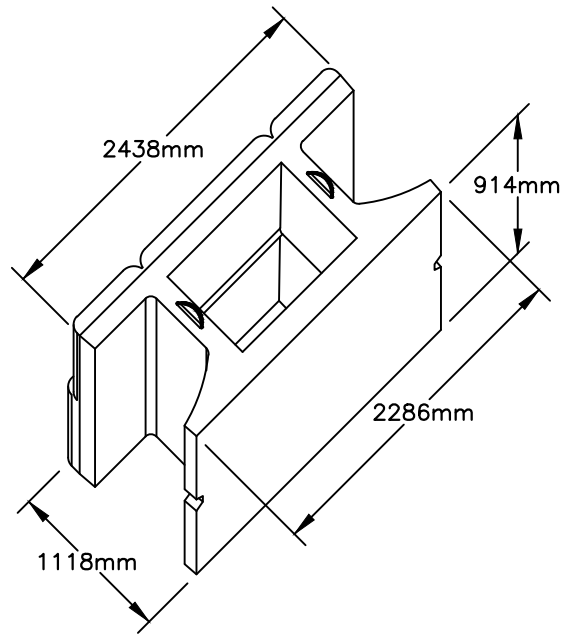


[www.stonestrong.com](http://www.stonestrong.com)

PROJECT

COMPONENTS  
STONE STRONG SYSTEMS

DATE: 4/18/23 | FILE: 02\_Block.24-44.Vert



REAR VIEW  
STONE STRONG 24-44 UNIT  
 NOT TO SCALE

**DISCLAIMER:**

These typical details are preliminary and conceptual in nature. They are provided for general information purposes only. Anyone making use of these details and related information does so at their own risk and assumes all liability for such use. Site specific design should be performed by a licensed Professional Engineer based on actual site conditions, materials, and local practices.

Stone Strong LLC retains all common law, statutory, and other reserved rights to these drawings including the copyright. Limited license is granted to copy, reproduce, or modify the details to prepare construction drawings for Stone Strong retaining walls. Stone Strong LLC makes no warranties, either expressed or implied, of merchantability or fitness for any particular purpose, and accepts no responsibility for the accuracy, suitability, or completeness of information contained herein.



[www.stonestrong.com](http://www.stonestrong.com)

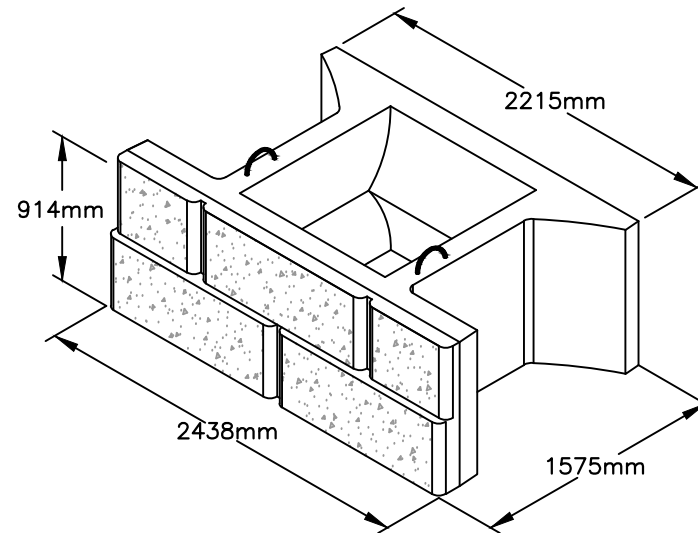
PROJECT

COMPONENTS  
 STONE STRONG SYSTEMS

DATE: 4/18/23 | FILE: 03\_Block.24-44.Rear

**NOTES:**

1. SEE TECH MEMO TM-2018-01 FOR BLOCK REINFORCEMENT REQUIREMENTS.



**STONE STRONG 24-62 UNIT**

NOT TO SCALE

CHECK ON AVAILABILITY OF ALL UNITS w/LOCAL PRODUCER/DEALER. SOME UNITS MAY HAVE LIMITED AVAILABILITY.

**DISCLAIMER:**

These typical details are preliminary and conceptual in nature. They are provided for general information purposes only. Anyone making use of these details and related information does so at their own risk and assumes all liability for such use. Site specific design should be performed by a licensed Professional Engineer based on actual site conditions, materials, and local practices.

Stone Strong LLC retains all common law, statutory, and other reserved rights to these drawings including the copyright. Limited license is granted to copy, reproduce, or modify the details to prepare construction drawings for Stone Strong retaining walls. Stone Strong LLC makes no warranties, either expressed or implied, of merchantability or fitness for any particular purpose, and accepts no responsibility for the accuracy, suitability, or completeness of information contained herein.



[www.stonestrong.com](http://www.stonestrong.com)

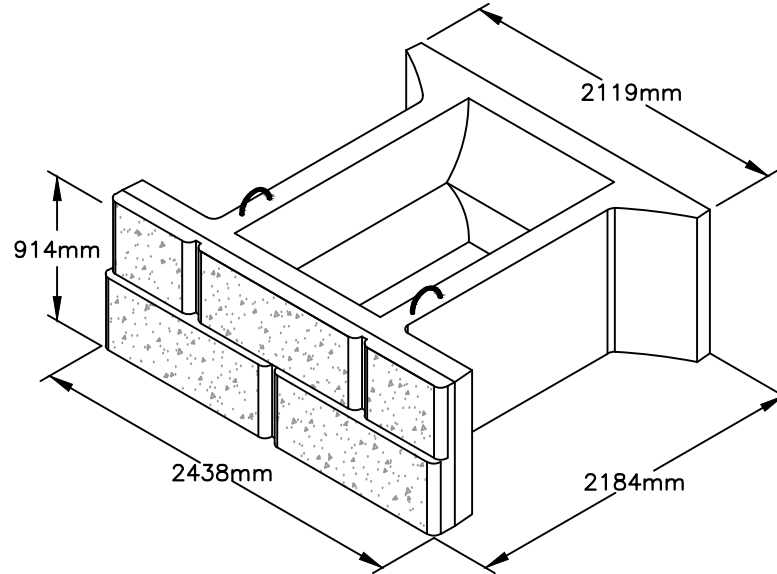
PROJECT

COMPONENTS  
STONE STRONG SYSTEMS

DATE: 4/18/23 | FILE: 04\_Block.24-62

**NOTES:**

1. SEE TECH MEMO TM-2018-01 FOR BLOCK REINFORCEMENT REQUIREMENTS.



**STONE STRONG 24-86 UNIT**

NOT TO SCALE

CHECK ON AVAILABILITY OF ALL UNITS w/LOCAL PRODUCER/DEALER. SOME UNITS MAY HAVE LIMITED AVAILABILITY.

**DISCLAIMER:**

These typical details are preliminary and conceptual in nature. They are provided for general information purposes only. Anyone making use of these details and related information does so at their own risk and assumes all liability for such use. Site specific design should be performed by a licensed Professional Engineer based on actual site conditions, materials, and local practices.

Stone Strong LLC retains all common law, statutory, and other reserved rights to these drawings including the copyright. Limited license is granted to copy, reproduce, or modify the details to prepare construction drawings for Stone Strong retaining walls. Stone Strong LLC makes no warranties, either expressed or implied, of merchantability or fitness for any particular purpose, and accepts no responsibility for the accuracy, suitability, or completeness of information contained herein.



[www.stonestrong.com](http://www.stonestrong.com)

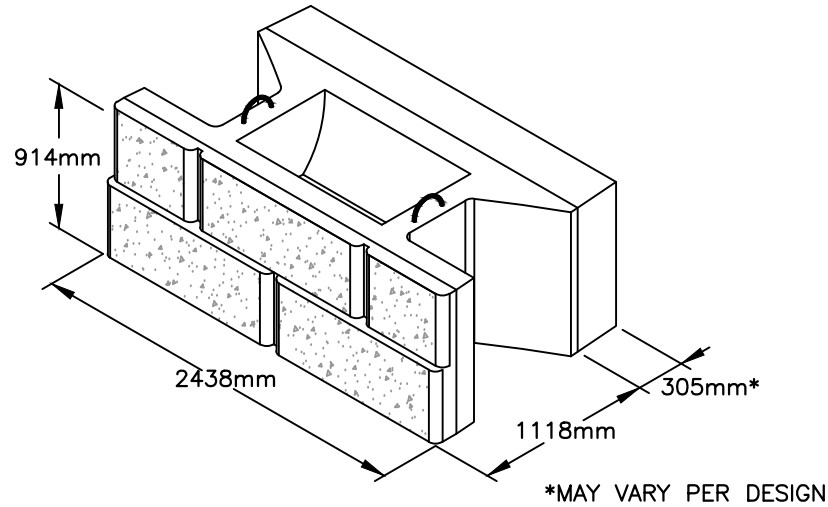
PROJECT

COMPONENTS  
STONE STRONG SYSTEMS

DATE: 4/18/23 | FILE: 05\_Block.24-86

**NOTES:**

1. SEE TECH MEMO TM-2018-01 FOR BLOCK REINFORCEMENT REQUIREMENTS.



**STONE STRONG 24-ME UNIT (MASS EXTENDER)**  
NOT TO SCALE

**DISCLAIMER:**

These typical details are preliminary and conceptual in nature. They are provided for general information purposes only. Anyone making use of these details and related information does so at their own risk and assumes all liability for such use. Site specific design should be performed by a licensed Professional Engineer based on actual site conditions, materials, and local practices.

Stone Strong LLC retains all common law, statutory, and other reserved rights to these drawings including the copyright. Limited license is granted to copy, reproduce, or modify the details to prepare construction drawings for Stone Strong retaining walls. Stone Strong LLC makes no warranties, either expressed or implied, of merchantability or fitness for any particular purpose, and accepts no responsibility for the accuracy, suitability, or completeness of information contained herein.

CHECK ON AVAILABILITY OF ALL UNITS w/LOCAL PRODUCER/DEALER. SOME UNITS MAY HAVE LIMITED AVAILABILITY.



[www.stonestrong.com](http://www.stonestrong.com)

PROJECT

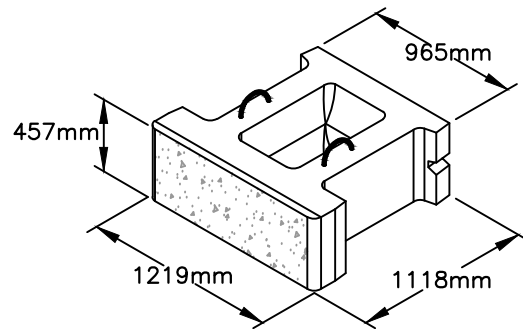
COMPONENTS  
STONE STRONG SYSTEMS

DATE: 4/18/23

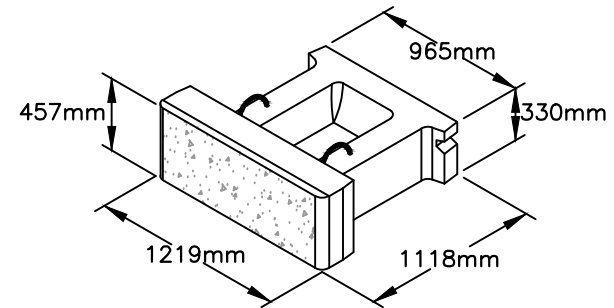
FILE: 06\_Block.24-44.MassExt

**NOTES:**

1. SEE TECH MEMO TM-2018-01 FOR BLOCK REINFORCEMENT REQUIREMENTS.
2. 6-44 UNITS w/PARAWEB INSERTS MUST BE REINFORCED.



**STONE STRONG 6-44 UNIT**  
NOT TO SCALE



**STONE STRONG 6-44 TOP UNIT**  
NOT TO SCALE

**DISCLAIMER:**

These typical details are preliminary and conceptual in nature. They are provided for general information purposes only. Anyone making use of these details and related information does so at their own risk and assumes all liability for such use. Site specific design should be performed by a licensed Professional Engineer based on actual site conditions, materials, and local practices.

Stone Strong LLC retains all common law, statutory, and other reserved rights to these drawings including the copyright. Limited license is granted to copy, reproduce, or modify the details to prepare construction drawings for Stone Strong retaining walls. Stone Strong LLC makes no warranties, either expressed or implied, of merchantability or fitness for any particular purpose, and accepts no responsibility for the accuracy, suitability, or completeness of information contained herein.



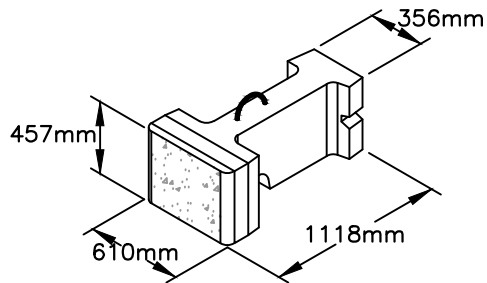
[www.stonestrong.com](http://www.stonestrong.com)

PROJECT

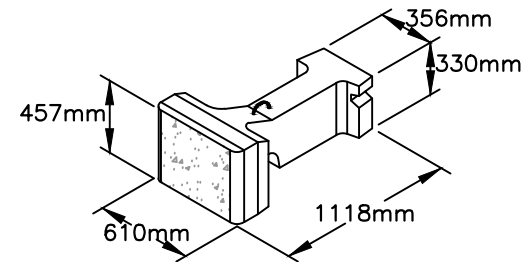
COMPONENTS  
STONE STRONG SYSTEMS

DATE: 4/18/23

FILE: 07\_Block.6-44



STONE STRONG 3-44 UNIT  
NOT TO SCALE



STONE STRONG 3-44 TOP UNIT  
NOT TO SCALE

**DISCLAIMER:**

These typical details are preliminary and conceptual in nature. They are provided for general information purposes only. Anyone making use of these details and related information does so at their own risk and assumes all liability for such use. Site specific design should be performed by a licensed Professional Engineer based on actual site conditions, materials, and local practices.

Stone Strong LLC retains all common law, statutory, and other reserved rights to these drawings including the copyright. Limited license is granted to copy, reproduce, or modify the details to prepare construction drawings for Stone Strong retaining walls. Stone Strong LLC makes no warranties, either expressed or implied, of merchantability or fitness for any particular purpose, and accepts no responsibility for the accuracy, suitability, or completeness of information contained herein.



[www.stonestrong.com](http://www.stonestrong.com)

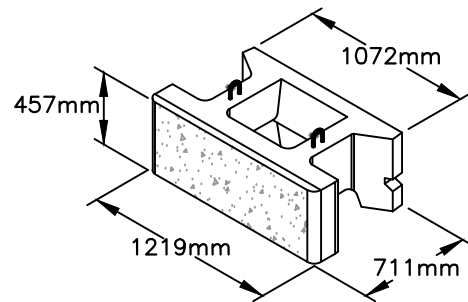
PROJECT

COMPONENTS  
STONE STRONG SYSTEMS

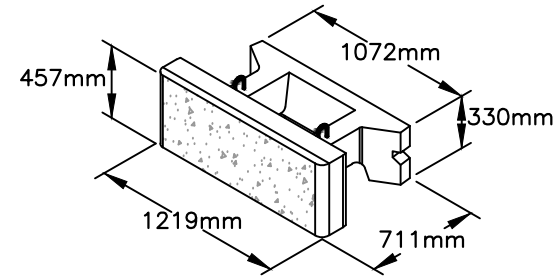
DATE: 4/18/23 | FILE: 08\_Block.3-44

**NOTES:**

1. SEE TECH MEMO TM-2018-01 FOR BLOCK REINFORCEMENT REQUIREMENTS.
2. 6-28 UNITS w/PARAWEB INSERTS MUST BE REINFORCED.



**STONE STRONG 6-28 UNIT**  
NOT TO SCALE



**STONE STRONG 6-28 TOP UNIT**  
NOT TO SCALE

CHECK ON AVAILABILITY OF ALL UNITS w/LOCAL PRODUCER/DEALER. SOME UNITS MAY HAVE LIMITED AVAILABILITY.

**DISCLAIMER:**

These typical details are preliminary and conceptual in nature. They are provided for general information purposes only. Anyone making use of these details and related information does so at their own risk and assumes all liability for such use. Site specific design should be performed by a licensed Professional Engineer based on actual site conditions, materials, and local practices.

Stone Strong LLC retains all common law, statutory, and other reserved rights to these drawings including the copyright. Limited license is granted to copy, reproduce, or modify the details to prepare construction drawings for Stone Strong retaining walls. Stone Strong LLC makes no warranties, either expressed or implied, of merchantability or fitness for any particular purpose, and accepts no responsibility for the accuracy, suitability, or completeness of information contained herein.



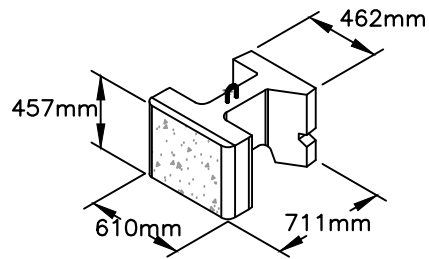
[www.stonestrong.com](http://www.stonestrong.com)

PROJECT

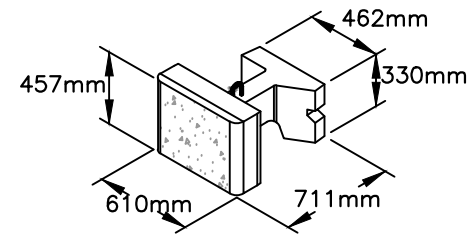
COMPONENTS  
STONE STRONG SYSTEMS

DATE: 4/18/23

FILE: 09\_Block.6-28



STONE STRONG  
3-28 UNIT  
NOT TO SCALE



STONE STRONG  
3-28 TOP UNIT  
NOT TO SCALE

CHECK ON AVAILABILITY OF ALL UNITS w/LOCAL PRODUCER/  
DEALER. SOME UNITS MAY HAVE LIMITED AVAILABILITY.

**DISCLAIMER:**

These typical details are preliminary and conceptual in nature. They are provided for general information purposes only. Anyone making use of these details and related information does so at their own risk and assumes all liability for such use. Site specific design should be performed by a licensed Professional Engineer based on actual site conditions, materials, and local practices.

Stone Strong LLC retains all common law, statutory, and other reserved rights to these drawings including the copyright. Limited license is granted to copy, reproduce, or modify the details to prepare construction drawings for Stone Strong retaining walls. Stone Strong LLC makes no warranties, either expressed or implied, of merchantability or fitness for any particular purpose, and accepts no responsibility for the accuracy, suitability, or completeness of information contained herein.

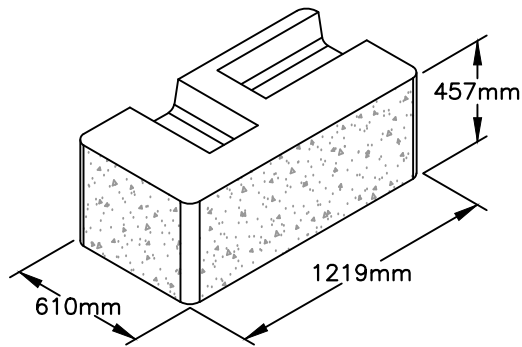


[www.stonestrong.com](http://www.stonestrong.com)

PROJECT

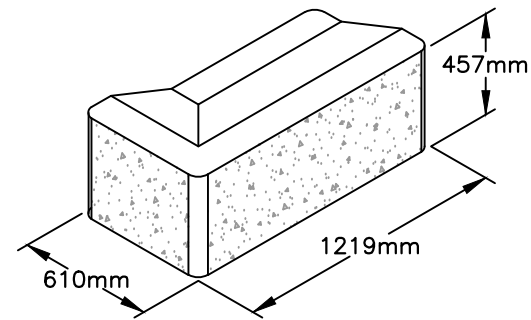
COMPONENTS  
STONE STRONG SYSTEMS

DATE: 4/18/23 | FILE: 10\_Block.3-28



## STONE STRONG CORNER UNIT

NOT TO SCALE



## STONE STRONG END UNIT

NOT TO SCALE

**DISCLAIMER:**

These typical details are preliminary and conceptual in nature. They are provided for general information purposes only. Anyone making use of these details and related information does so at their own risk and assumes all liability for such use. Site specific design should be performed by a licensed Professional Engineer based on actual site conditions, materials, and local practices.

Stone Strong LLC retains all common law, statutory, and other reserved rights to these drawings including the copyright. Limited license is granted to copy, reproduce, or modify the details to prepare construction drawings for Stone Strong retaining walls. Stone Strong LLC makes no warranties, either expressed or implied, of merchantability or fitness for any particular purpose, and accepts no responsibility for the accuracy, suitability, or completeness of information contained herein.



[www.stonestrong.com](http://www.stonestrong.com)

PROJECT

COMPONENTS  
STONE STRONG SYSTEMS

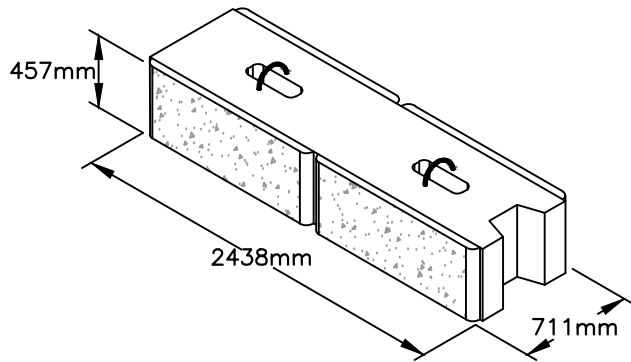
DATE: 4/18/23 | FILE: 11\_Block.End.Corner

NOTE:

ENDS MAY BE MITERED FOR INSTALLATION ON A RADIUS. UNITS MAY BE CUT OR FORMED AS NEEDED IN LENGTHS BETWEEN 0.61m AND 2.44m.

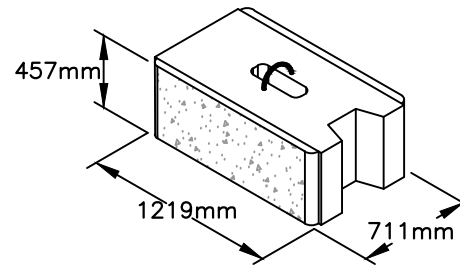
OPTIONAL:

BACKER RODS, GROUT OR MASTIC MAY BE USED BETWEEN COURSES.



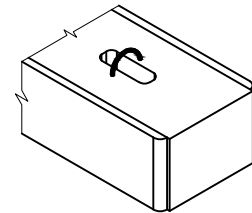
STONE STRONG  
DUAL FACE UNIT

NOT TO SCALE



STONE STRONG  
DUAL FACE HALF UNIT

NOT TO SCALE



ALTERNATE  
FINISHED END

NOT TO SCALE

DISCLAIMER:

These typical details are preliminary and conceptual in nature. They are provided for general information purposes only. Anyone making use of these details and related information does so at their own risk and assumes all liability for such use. Site specific design should be performed by a licensed Professional Engineer based on actual site conditions, materials, and local practices.

Stone Strong LLC retains all common law, statutory, and other reserved rights to these drawings including the copyright. Limited license is granted to copy, reproduce, or modify the details to prepare construction drawings for Stone Strong retaining walls. Stone Strong LLC makes no warranties, either expressed or implied, of merchantability or fitness for any particular purpose, and accepts no responsibility for the accuracy, suitability, or completeness of information contained herein.

CHECK ON AVAILABILITY OF ALL UNITS w/LOCAL PRODUCER/DEALER. SOME UNITS MAY HAVE LIMITED AVAILABILITY.



www.stonestrong.com

PROJECT

COMPONENTS  
STONE STRONG SYSTEMS

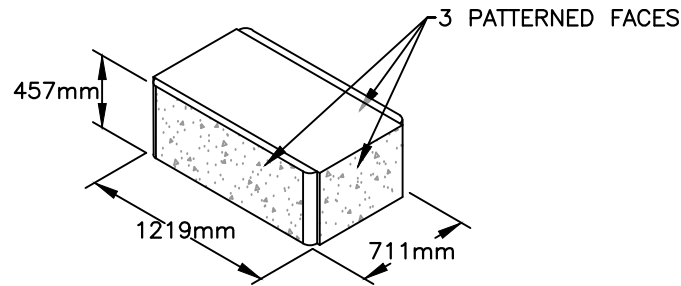
DATE: 4/18/23

FILE: 12\_Block.DualFace

**NOTE:**

**OPTIONAL:**

BACKER RODS, GROUT OR MASTIC MAY BE USED BETWEEN COURSES.



**STONE STRONG**  
**DUAL FACE END UNIT**

NOT TO SCALE

CHECK ON AVAILABILITY OF ALL UNITS w/LOCAL PRODUCER/DEALER. SOME UNITS MAY HAVE LIMITED AVAILABILITY.

**DISCLAIMER:**

These typical details are preliminary and conceptual in nature. They are provided for general information purposes only. Anyone making use of these details and related information does so at their own risk and assumes all liability for such use. Site specific design should be performed by a licensed Professional Engineer based on actual site conditions, materials, and local practices.

Stone Strong LLC retains all common law, statutory, and other reserved rights to these drawings including the copyright. Limited license is granted to copy, reproduce, or modify the details to prepare construction drawings for Stone Strong retaining walls. Stone Strong LLC makes no warranties, either expressed or implied, of merchantability or fitness for any particular purpose, and accepts no responsibility for the accuracy, suitability, or completeness of information contained herein.

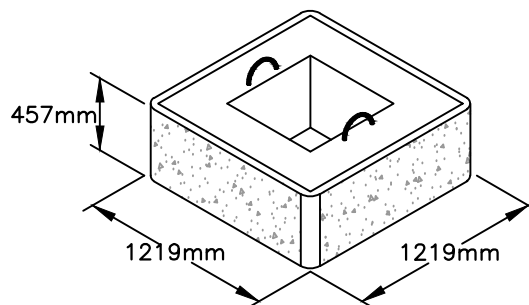


[www.stonestrong.com](http://www.stonestrong.com)

PROJECT

COMPONENTS  
STONE STRONG SYSTEMS

DATE: 4/18/23 | FILE: 13\_Block.Dual Face End



## STONE STRONG 90° CORNER UNIT

NOT TO SCALE

CHECK ON AVAILABILITY OF ALL UNITS w/LOCAL PRODUCER/  
DEALER. SOME UNITS MAY HAVE LIMITED AVAILABILITY.

**DISCLAIMER:**

These typical details are preliminary and conceptual in nature. They are provided for general information purposes only. Anyone making use of these details and related information does so at their own risk and assumes all liability for such use. Site specific design should be performed by a licensed Professional Engineer based on actual site conditions, materials, and local practices.

Stone Strong LLC retains all common law, statutory, and other reserved rights to these drawings including the copyright. Limited license is granted to copy, reproduce, or modify the details to prepare construction drawings for Stone Strong retaining walls. Stone Strong LLC makes no warranties, either expressed or implied, of merchantability or fitness for any particular purpose, and accepts no responsibility for the accuracy, suitability, or completeness of information contained herein.

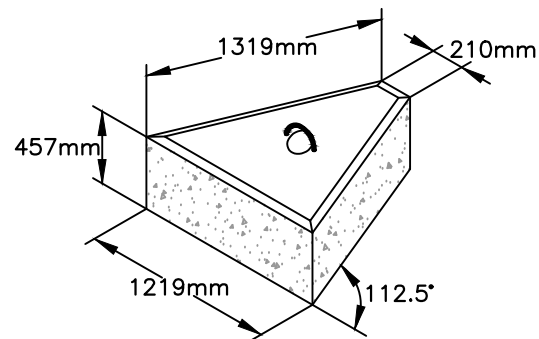


[www.stonestrong.com](http://www.stonestrong.com)

PROJECT

COMPONENTS  
STONE STRONG SYSTEMS

DATE: 4/18/23 | FILE: 14\_Block.90Corner



## STONE STRONG 45° CORNER UNIT

NOT TO SCALE

CHECK ON AVAILABILITY OF ALL UNITS w/LOCAL PRODUCER/  
DEALER. SOME UNITS MAY HAVE LIMITED AVAILABILITY.

**DISCLAIMER:**

These typical details are preliminary and conceptual in nature. They are provided for general information purposes only. Anyone making use of these details and related information does so at their own risk and assumes all liability for such use. Site specific design should be performed by a licensed Professional Engineer based on actual site conditions, materials, and local practices.

Stone Strong LLC retains all common law, statutory, and other reserved rights to these drawings including the copyright. Limited license is granted to copy, reproduce, or modify the details to prepare construction drawings for Stone Strong retaining walls. Stone Strong LLC makes no warranties, either expressed or implied, of merchantability or fitness for any particular purpose, and accepts no responsibility for the accuracy, suitability, or completeness of information contained herein.



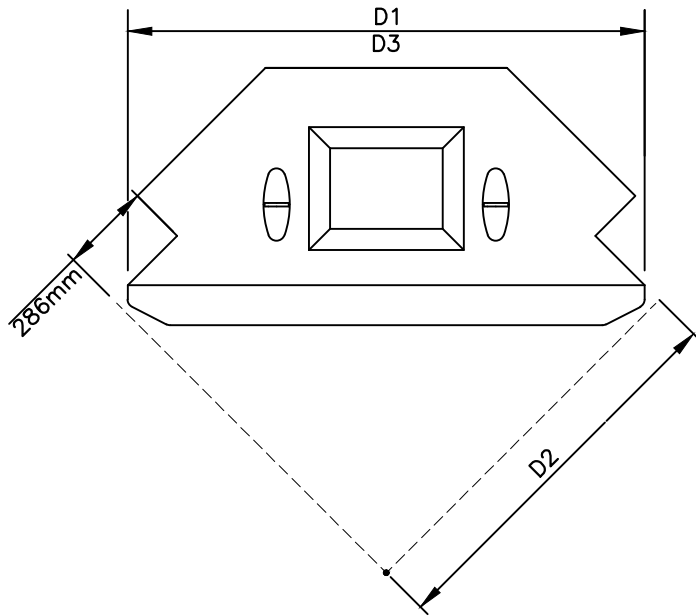
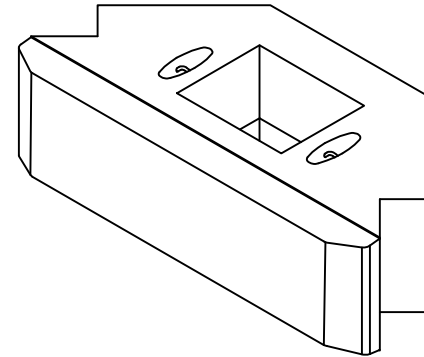
[www.stonestrong.com](http://www.stonestrong.com)

PROJECT

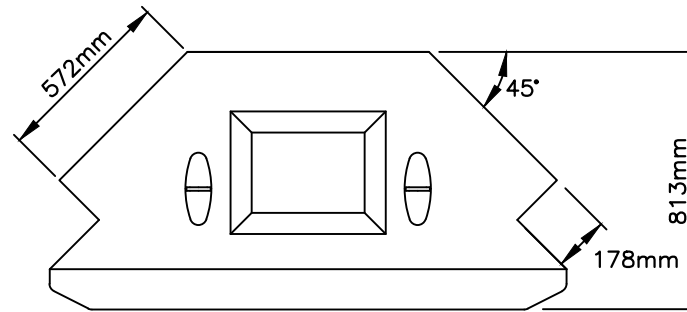
COMPONENTS  
STONE STRONG SYSTEMS

DATE: 4/18/23 | FILE: 15\_Block.45Corner

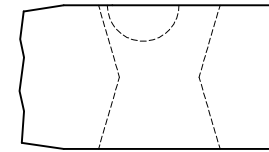
Block #	Liner #	D1	D2	D3	Weight
O1	A	75.5 in 1919 mm	56 in 1422 mm	75.5 in 1919 mm	2822 lbs 1280 kg
O2	B	69.9 in 1775 mm	52 in 1321 mm	69.9 in 1775 mm	2542 lbs 1153 kg
O3	C	64.2 in 1631 mm	48 in 1219 mm	64.2 in 1631 mm	2262 lbs 1026 kg
O4	D	58.6 in 1488 mm	44 in 1118 mm	58.6 in 1488 mm	1981 lbs 899 kg
O5	E	52.9 in 1344 mm	40 in 1016 mm	52.9 in 1344 mm	1700 lbs 771 kg
O6	F	47.3 in 1200 mm	36 in 914 mm	47.3 in 1200 mm	1420 lbs 644 kg



PLAN VIEW  
VARIABLE DIMENSIONS



PLAN VIEW  
FIXED DIMENSIONS



END VIEW

## STONE STRONG OUTSIDE CORNER UNIT

NOT TO SCALE

**DISCLAIMER:**

These typical details are preliminary and conceptual in nature. They are provided for general information purposes only. Anyone making use of these details and related information does so at their own risk and assumes all liability for such use. Site specific design should be performed by a licensed Professional Engineer based on actual site conditions, materials, and local practices.

Stone Strong LLC retains all common law, statutory, and other reserved rights to these drawings including the copyright. Limited license is granted to copy, reproduce, or modify the details to prepare construction drawings for Stone Strong retaining walls. Stone Strong LLC makes no warranties, either expressed or implied, of merchantability or fitness for any particular purpose, and accepts no responsibility for the accuracy, suitability, or completeness of information contained herein.



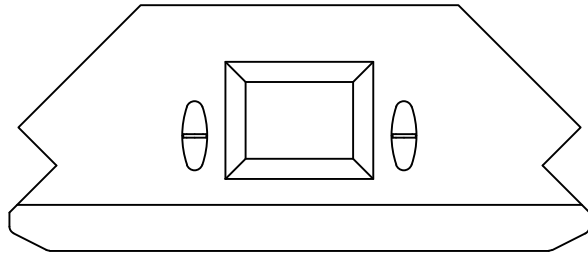
www.stonestrong.com

PROJECT

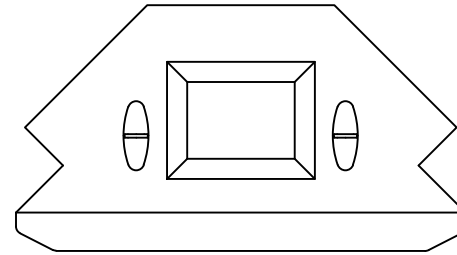
COMPONENTS  
STONE STRONG SYSTEMS

DATE: 8/23/23

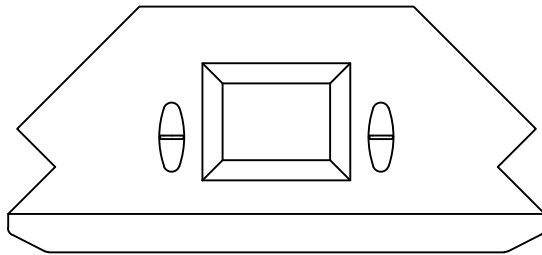
FILE: 16\_Outside Corner Block



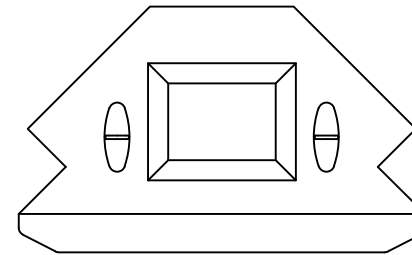
BLOCK NUMBER 01



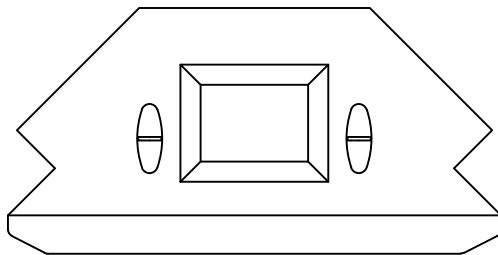
BLOCK NUMBER 04



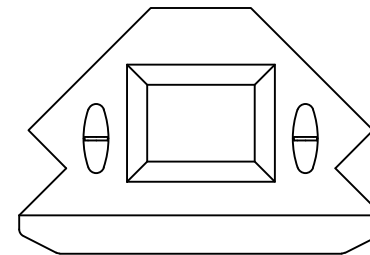
BLOCK NUMBER 02



BLOCK NUMBER 05



BLOCK NUMBER 03



BLOCK NUMBER 06

## STONE STRONG OUTSIDE CORNER UNITS

NOT TO SCALE

**DISCLAIMER:**

These typical details are preliminary and conceptual in nature. They are provided for general information purposes only. Anyone making use of these details and related information does so at their own risk and assumes all liability for such use. Site specific design should be performed by a licensed Professional Engineer based on actual site conditions, materials, and local practices.

Stone Strong LLC retains all common law, statutory, and other reserved rights to these drawings including the copyright. Limited license is granted to copy, reproduce, or modify the details to prepare construction drawings for Stone Strong retaining walls. Stone Strong LLC makes no warranties, either expressed or implied, of merchantability or fitness for any particular purpose, and accepts no responsibility for the accuracy, suitability, or completeness of information contained herein.



[www.stonestrong.com](http://www.stonestrong.com)

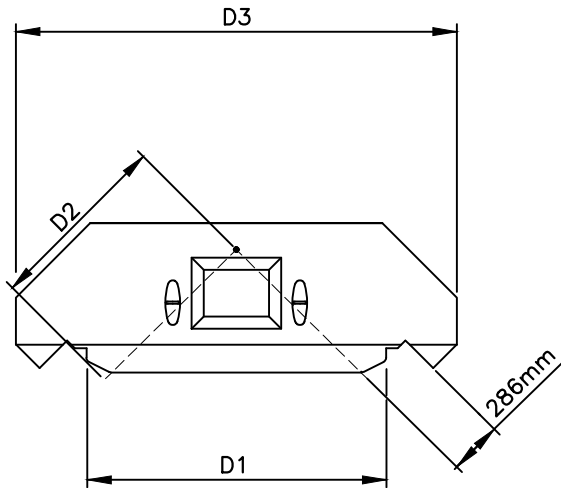
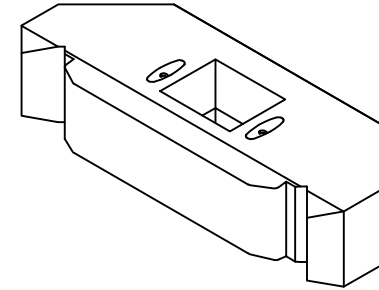
PROJECT

COMPONENTS  
STONE STRONG SYSTEMS

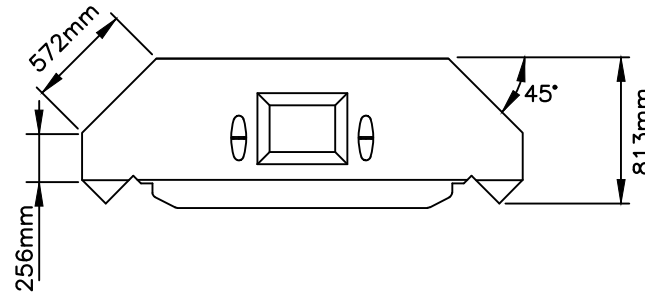
DATE: 8/23/23

FILE: 17\_Corner Units.Outside

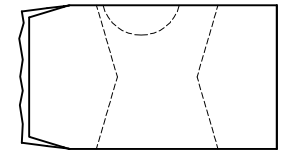
Block #	Liner #	D1	D2	D3	Weight
I1	F	47.3 in 1200 mm	28 in 711 mm	77.5 in 1969 mm	2904 lbs 1318 kg
I2	E	52.9 in 1344 mm	32 in 813 mm	83.2 in 2112 mm	3184 lbs 1445 kg
I3	D	58.6 in 1488 mm	36 in 914 mm	88.8 in 2256 mm	3465 lbs 1572 kg
I4	C	64.2 in 1631 mm	40 in 1016 mm	94.5 in 2400 mm	3746 lbs 1700 kg
I5	B	69.9 in 1775 mm	44 in 1118 mm	100.1 in 2543 mm	4026 lbs 1827 kg
I6	A	75.5 in 1919 mm	48 in 1219 mm	105.8 in 2687 mm	4307 lbs 1954 kg



PLAN VIEW  
VARIABLE DIMENSIONS



PLAN VIEW  
FIXED DIMENSIONS



END VIEW

## STONE STRONG INSIDE CORNER UNIT

NOT TO SCALE

**DISCLAIMER:**

These typical details are preliminary and conceptual in nature. They are provided for general information purposes only. Anyone making use of these details and related information does so at their own risk and assumes all liability for such use. Site specific design should be performed by a licensed Professional Engineer based on actual site conditions, materials, and local practices.

Stone Strong LLC retains all common law, statutory, and other reserved rights to these drawings including the copyright. Limited license is granted to copy, reproduce, or modify the details to prepare construction drawings for Stone Strong retaining walls. Stone Strong LLC makes no warranties, either expressed or implied, of merchantability or fitness for any particular purpose, and accepts no responsibility for the accuracy, suitability, or completeness of information contained herein.



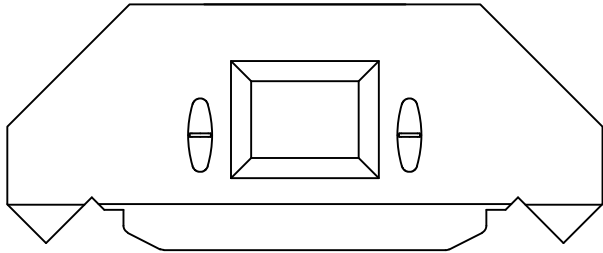
www.stonestrong.com

PROJECT

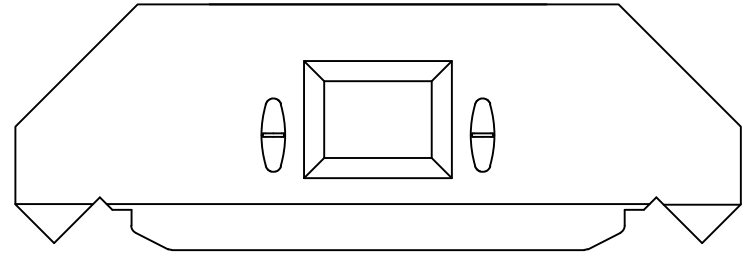
COMPONENTS  
STONE STRONG SYSTEMS

DATE: 8/XX/23

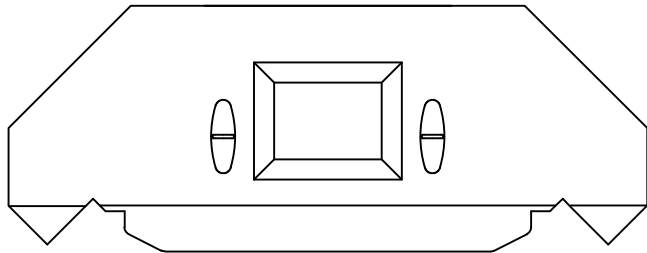
FILE: 18\_Inside Corner Block



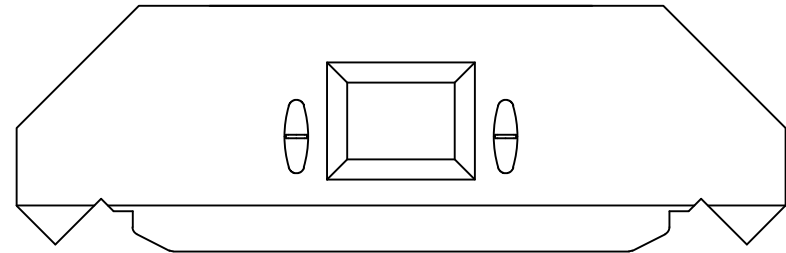
BLOCK NUMBER 11



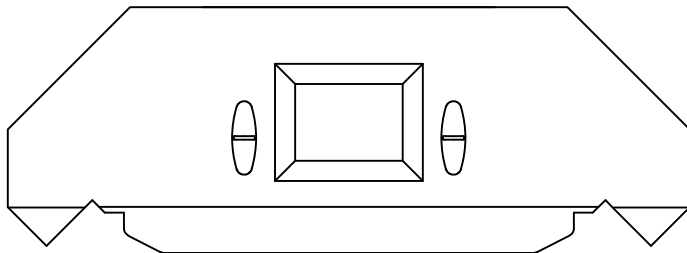
BLOCK NUMBER 14



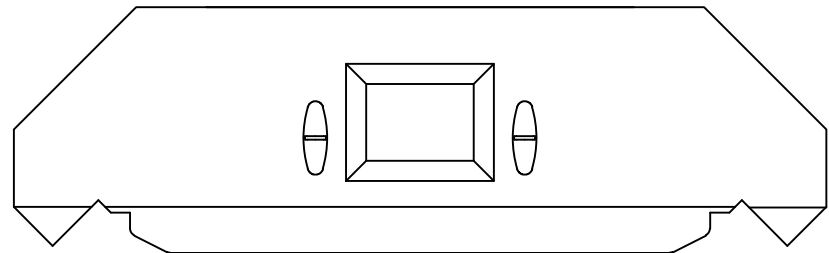
BLOCK NUMBER 12



BLOCK NUMBER 15



BLOCK NUMBER 13



BLOCK NUMBER 16

## STONE STRONG INSIDE CORNER UNITS

NOT TO SCALE

**DISCLAIMER:**

These typical details are preliminary and conceptual in nature. They are provided for general information purposes only. Anyone making use of these details and related information does so at their own risk and assumes all liability for such use. Site specific design should be performed by a licensed Professional Engineer based on actual site conditions, materials, and local practices.

Stone Strong LLC retains all common law, statutory, and other reserved rights to these drawings including the copyright. Limited license is granted to copy, reproduce, or modify the details to prepare construction drawings for Stone Strong retaining walls. Stone Strong LLC makes no warranties, either expressed or implied, of merchantability or fitness for any particular purpose, and accepts no responsibility for the accuracy, suitability, or completeness of information contained herein.



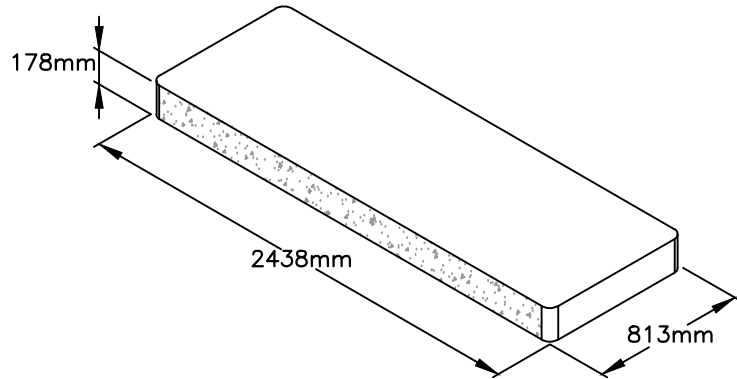
[www.stonestrong.com](http://www.stonestrong.com)

PROJECT

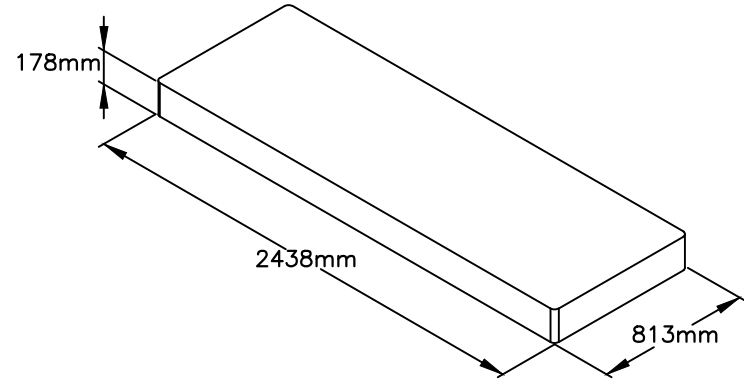
COMPONENTS  
STONE STRONG SYSTEMS

DATE: 4/23/26 | FILE: 19\_Corner Units.Inside

**NOTE:**  
 ENDS MAY BE MITERED FOR INSTALLATION ON A RADIUS. UNITS MAY BE CUT OR FORMED AS NEEDED IN LENGTHS BETWEEN 0.61m AND 2.44m.



**CAP-STEP BLOCK**  
 NOT TO SCALE



**FLAT CAP-STEP BLOCK**  
 NOT TO SCALE

**DISCLAIMER:**

These typical details are preliminary and conceptual in nature. They are provided for general information purposes only. Anyone making use of these details and related information does so at their own risk and assumes all liability for such use. Site specific design should be performed by a licensed Professional Engineer based on actual site conditions, materials, and local practices.

Stone Strong LLC retains all common law, statutory, and other reserved rights to these drawings including the copyright. Limited license is granted to copy, reproduce, or modify the details to prepare construction drawings for Stone Strong retaining walls. Stone Strong LLC makes no warranties, either expressed or implied, of merchantability or fitness for any particular purpose, and accepts no responsibility for the accuracy, suitability, or completeness of information contained herein.



[www.stonestrong.com](http://www.stonestrong.com)

PROJECT

COMPONENTS  
 STONE STRONG SYSTEMS

DATE: 4/18/23 | FILE: 20\_Block.Cap